

400 - TRANSMATIC

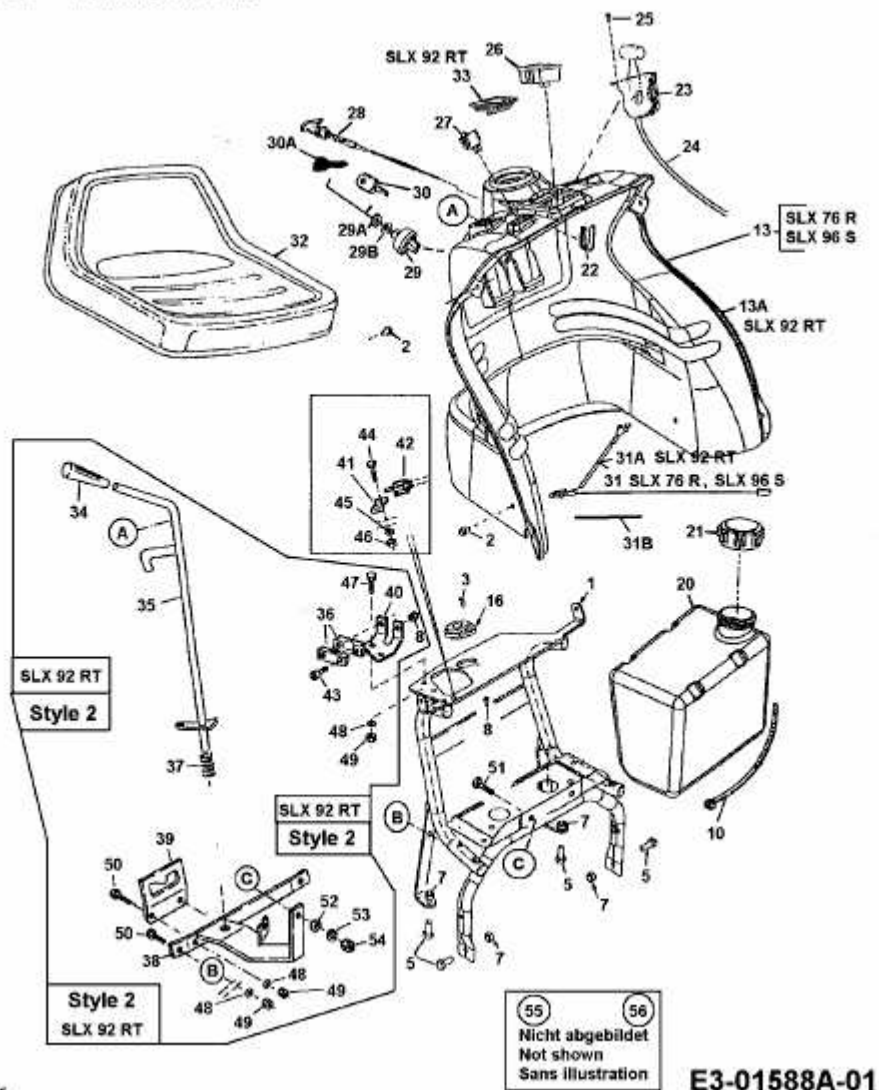


Fig.