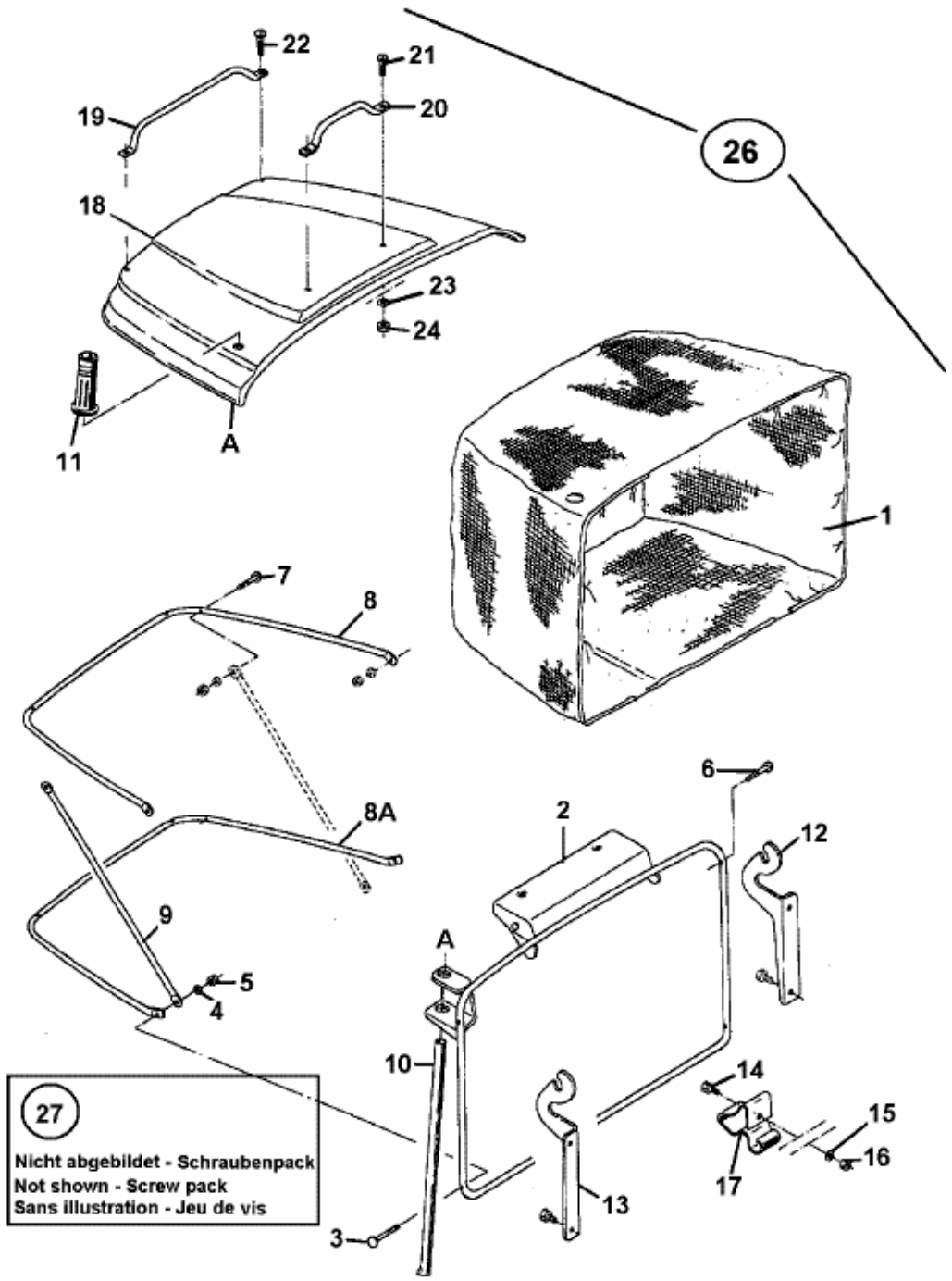


TA 4140 > 13BA473A643 (1999) > GRASFANGKORB



fig

E3-01389A-01