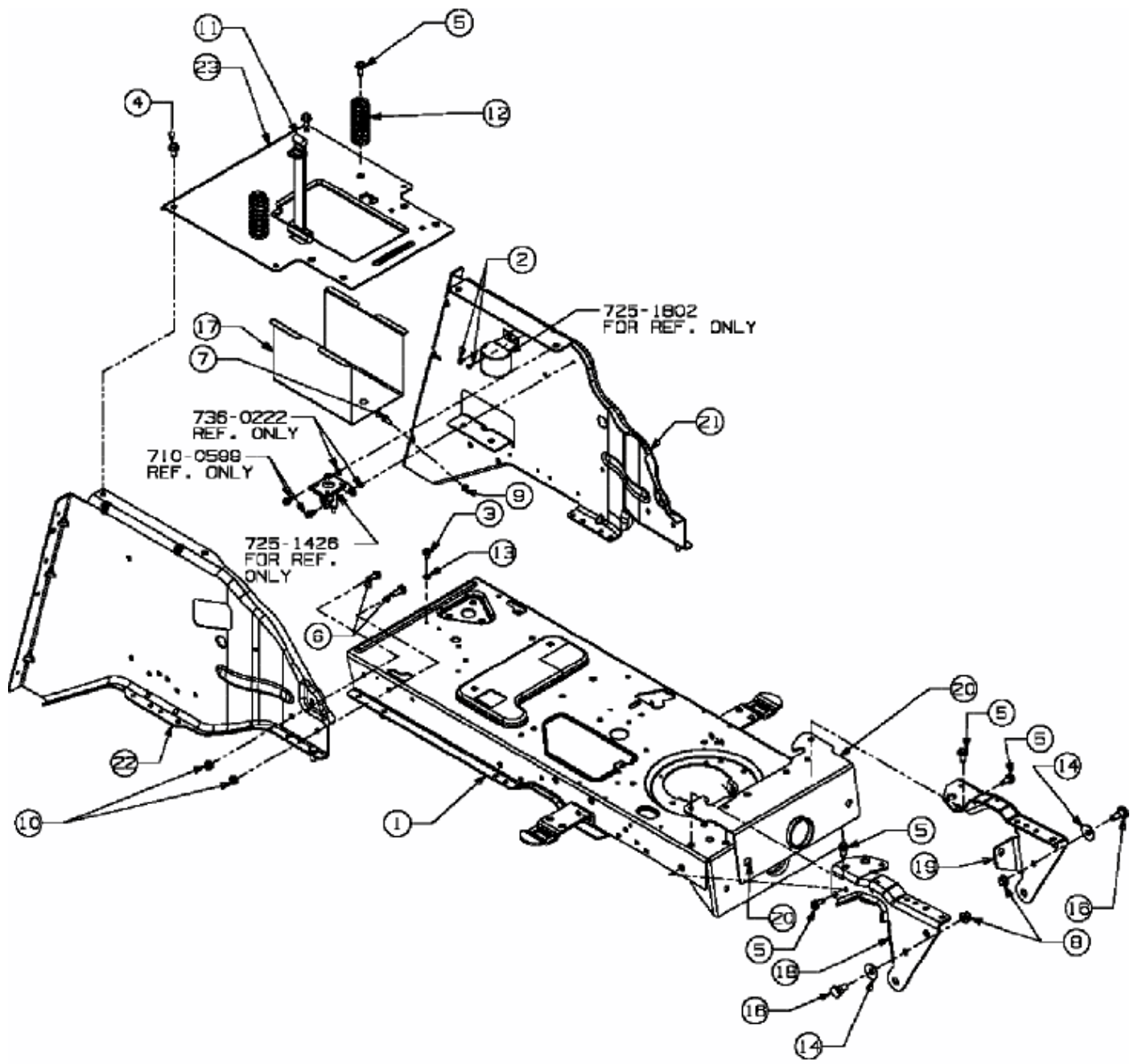


GLX 105 RAT > 13B7506N690 (2005) > RAHMEN



E3-02026A-01