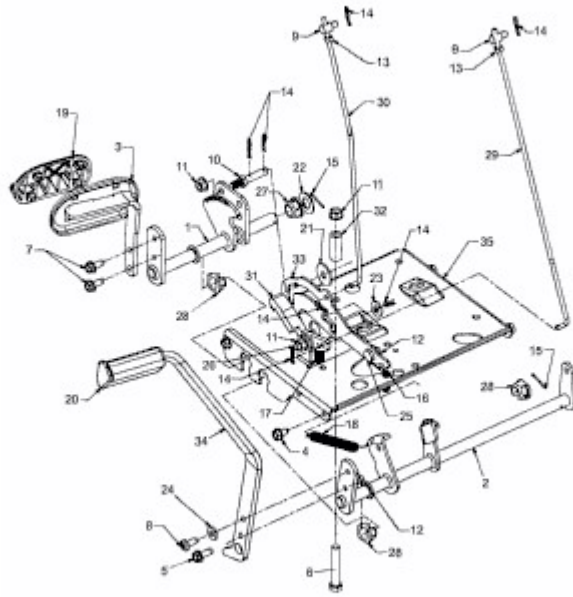


AMH 1650 > 13B5509N619 (2003) > PEDALE



E3-01654B-01