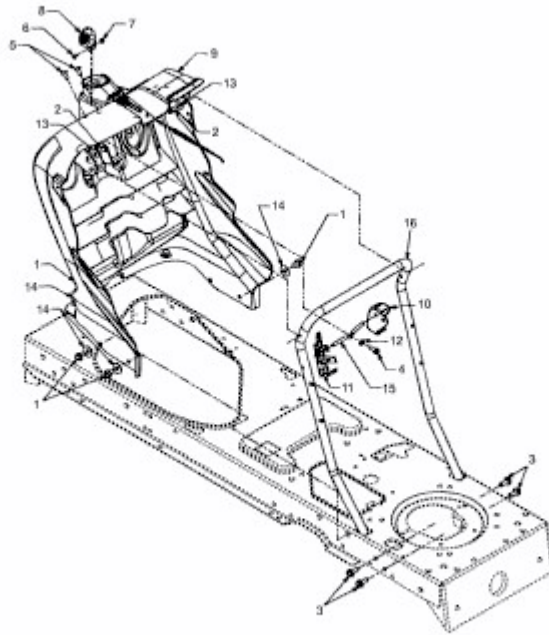


AMH 1650 > 13B5509N619 (2003) > ARMATURENBRETT



E3-01611A-02