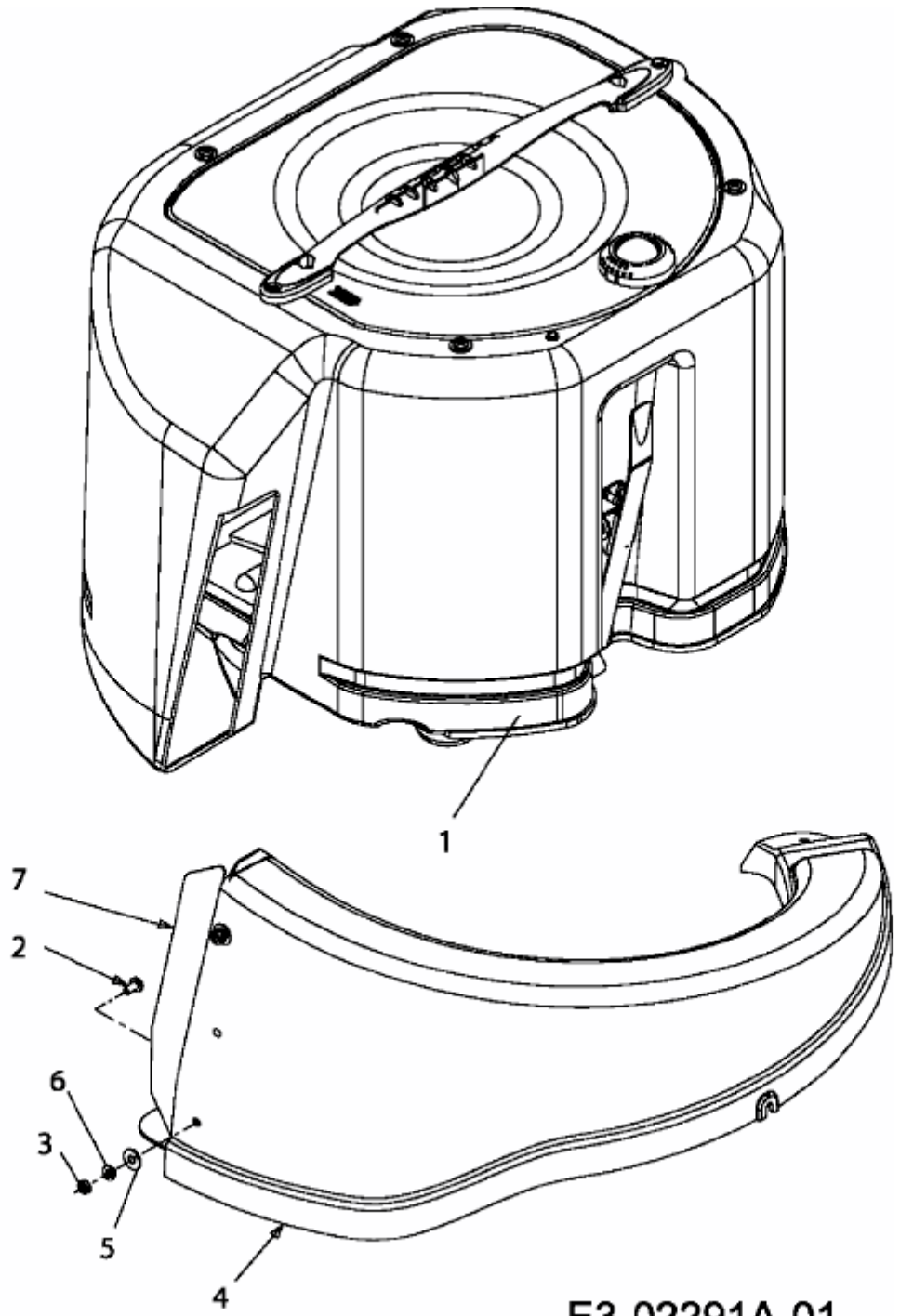


503 > 13B-332-611 (2007) > GRASFANGKORB



E3-02291A-01