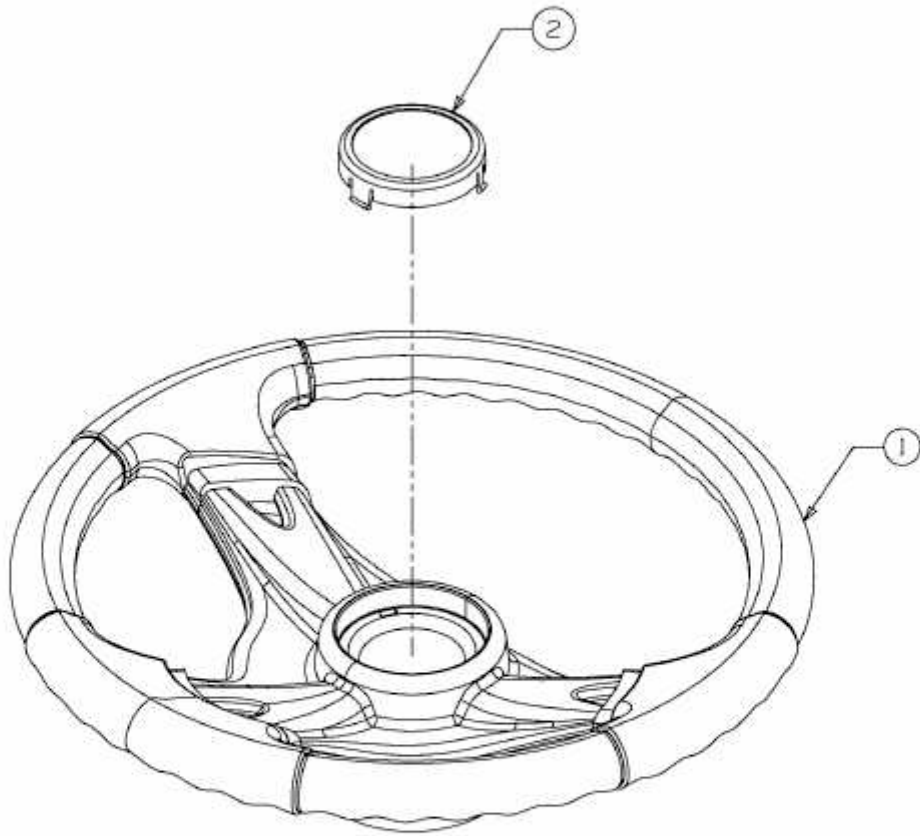


503 > 13B-332-611 (2006) > LENKRAD



E3-02015A-01