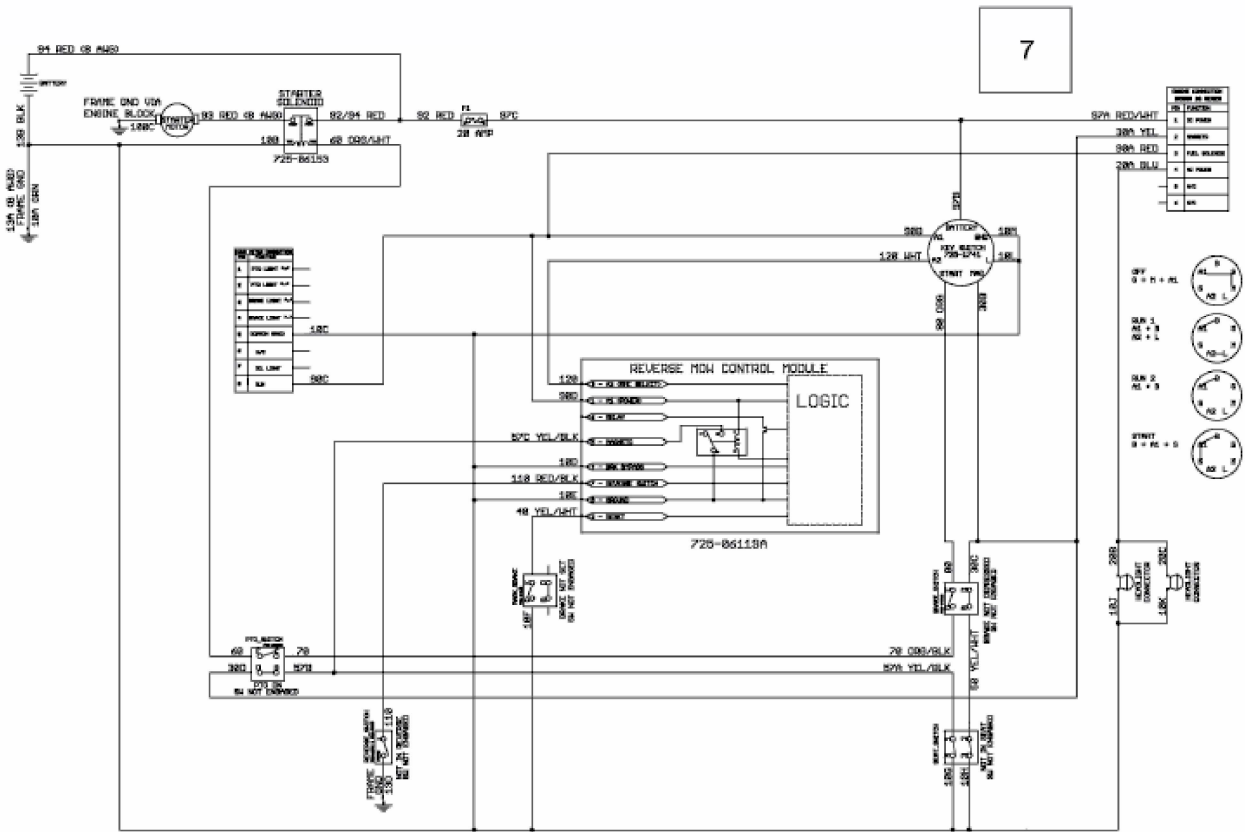


HORSE XP 46 > 13AX79KT309 (2016) > SCHALTPLAN



E3-09169A-02