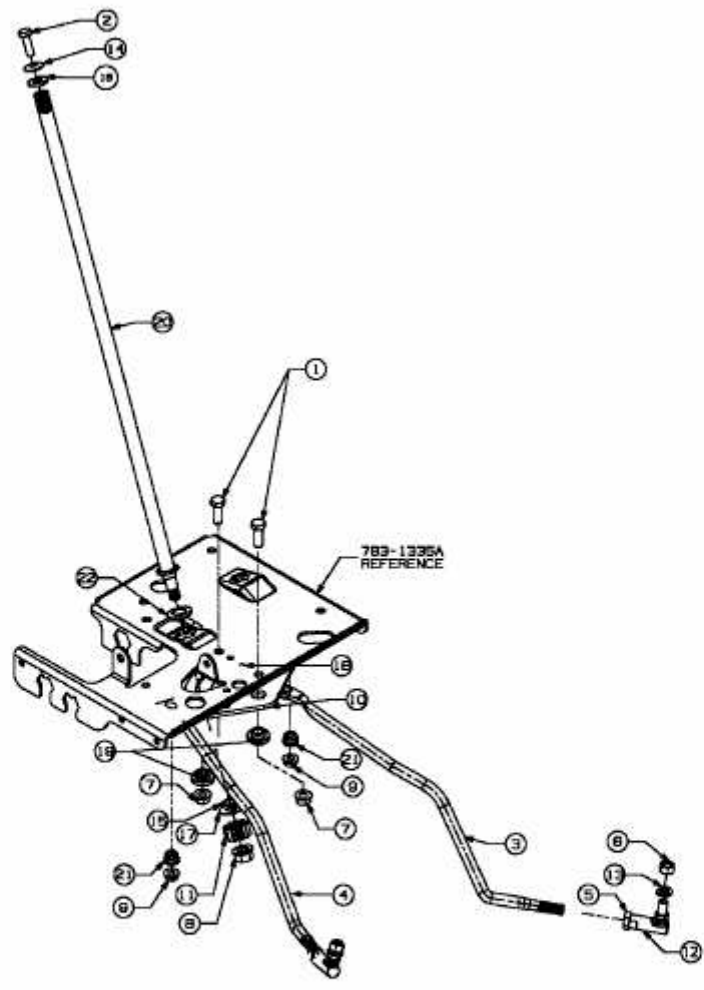


RH 170/105 H > 13AW493N676 (2006) > LENKUNG



E3-02000A-01