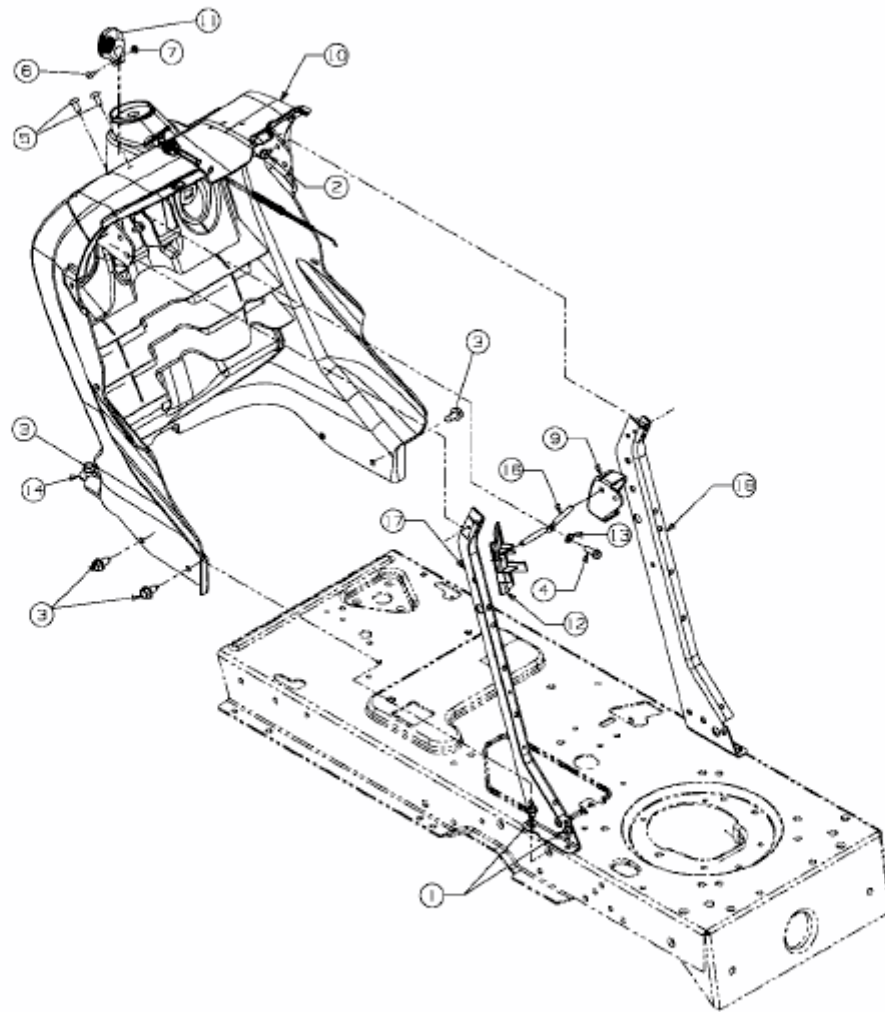


RH 170/105 H > 13AW493N676 (2006) > ARMATURENBRETT



E3-02021B-01