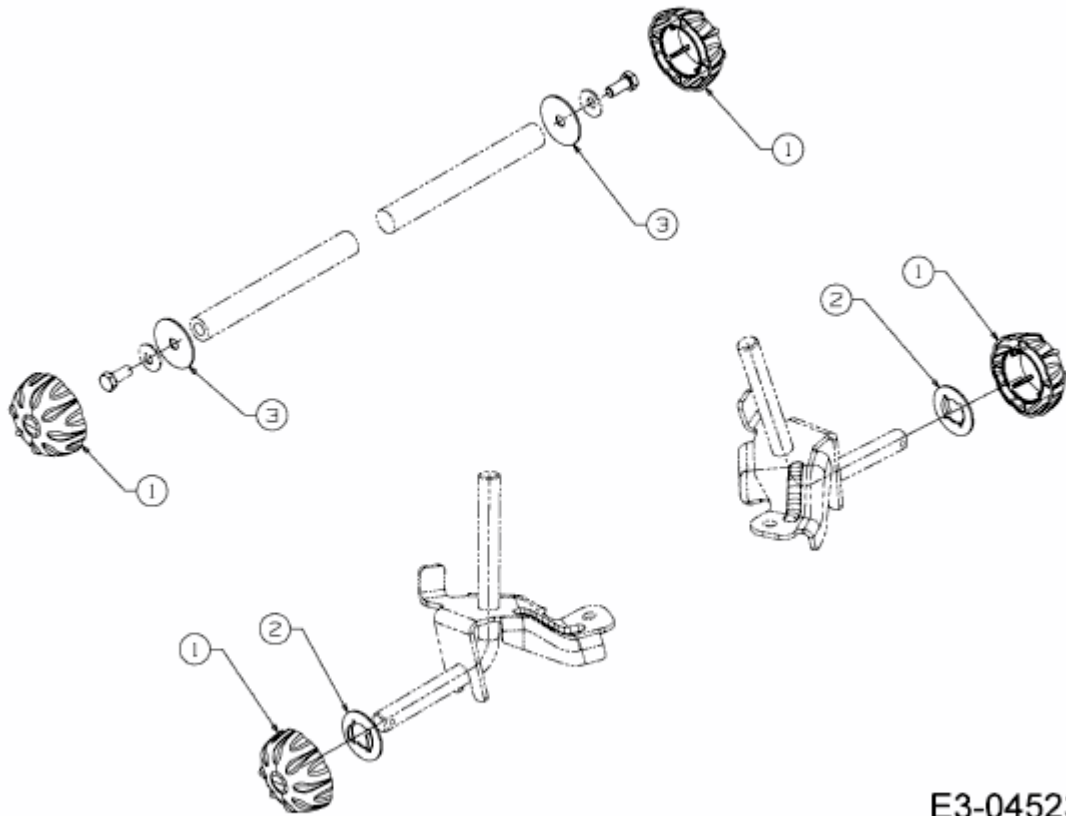


AF 9150 > 13AV90YF643 (2010) > RADKAPPEN



E3-04523A-01