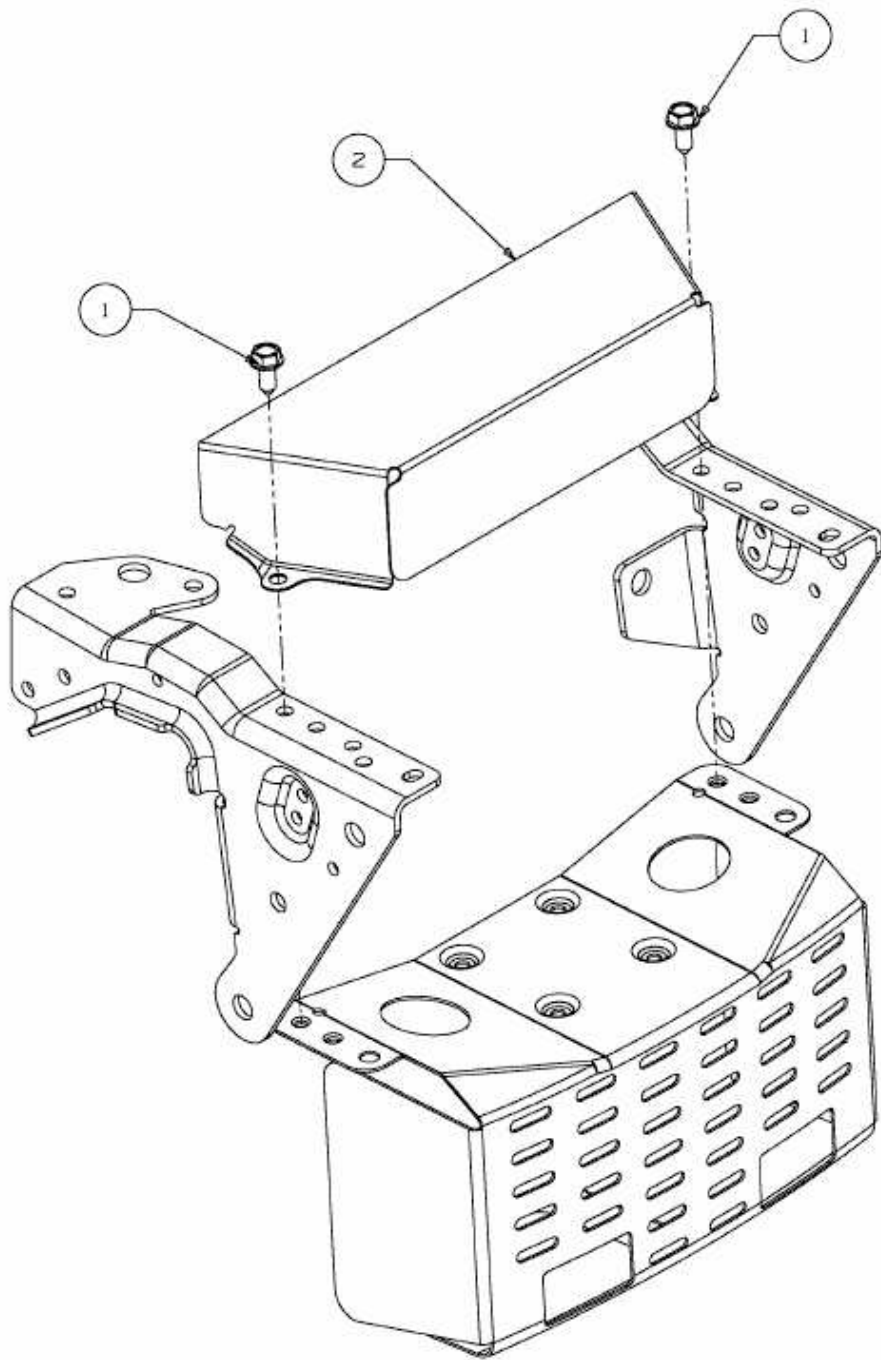


GLX 105 RH > 13AV51GN690 (2009) > HITZESCHUTZ



E3-03791B-01