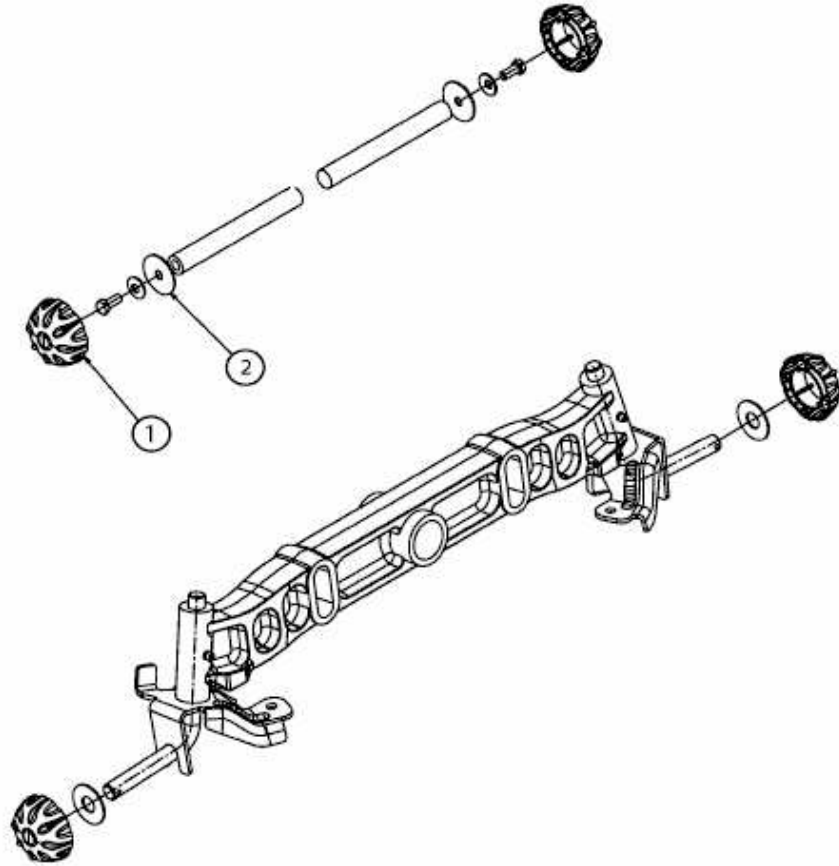


GLX 105 RH > 13AV51GN690 (2009) > RADKAPPEN



E3-02001A-01