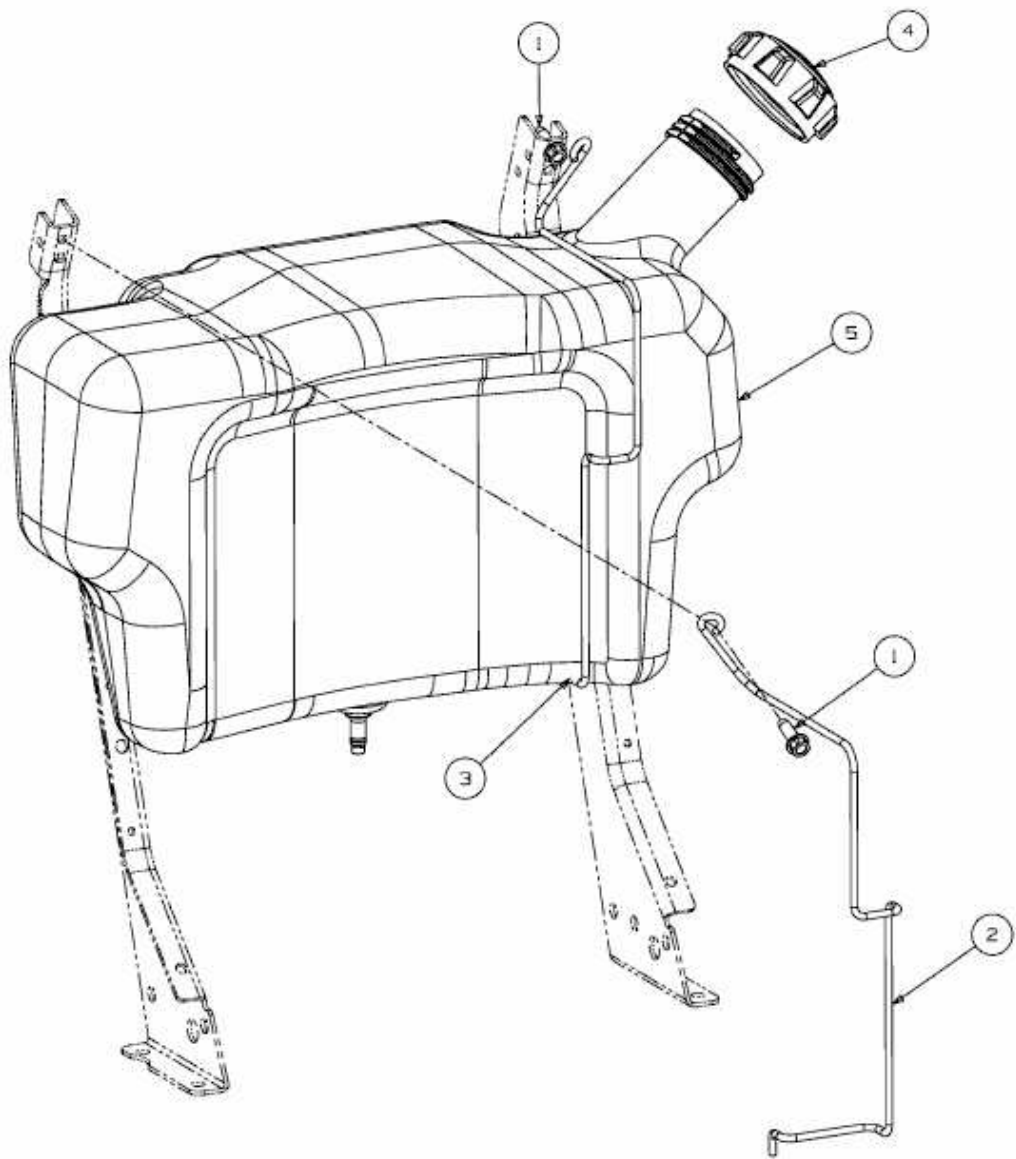


GLX 105 RH > 13AV51GN690 (2009) > TANK



E3-04919A-01