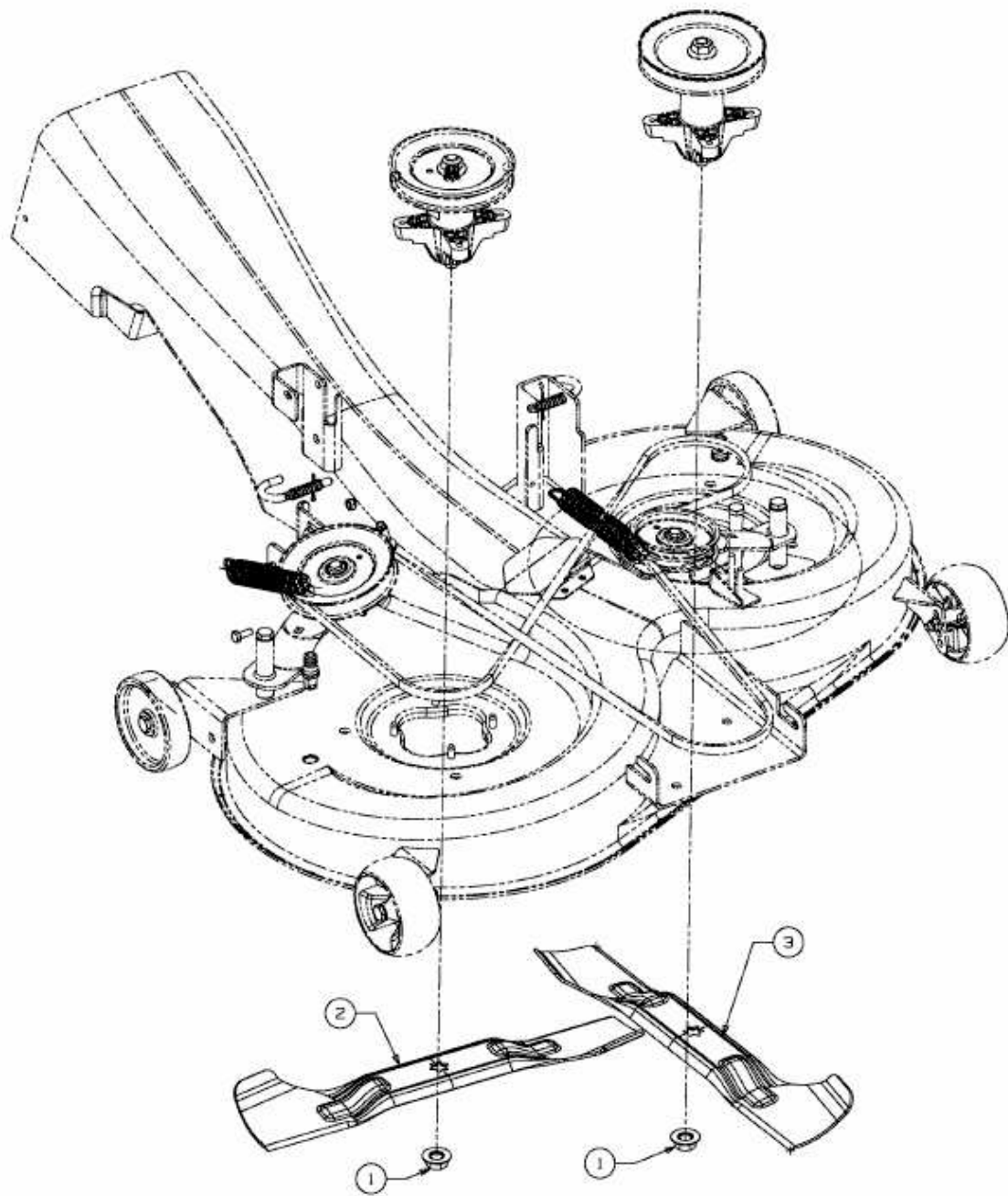


GLX 105 RH > 13AV51GN690 (2009) > HIGH LIFT MESSER



E3-03077A-01