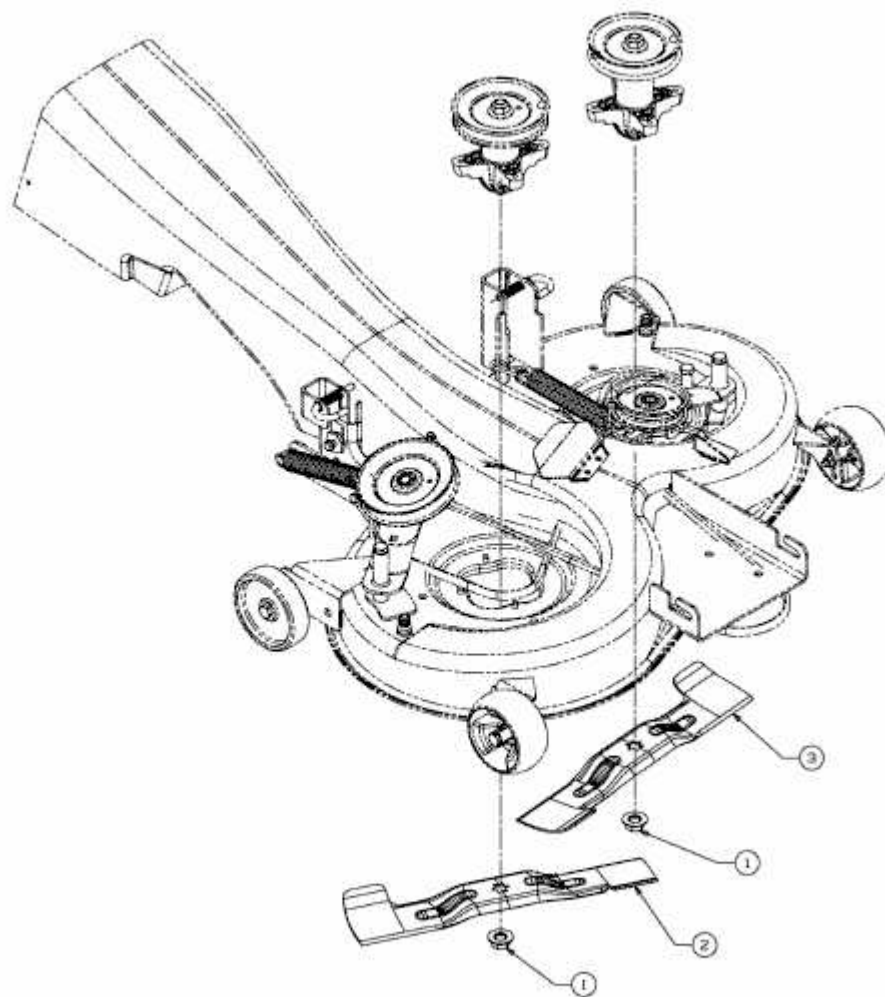


180/92 H > 13AV495E615 (2009) > HIGH LIFT MESSER



E3-03075A-01