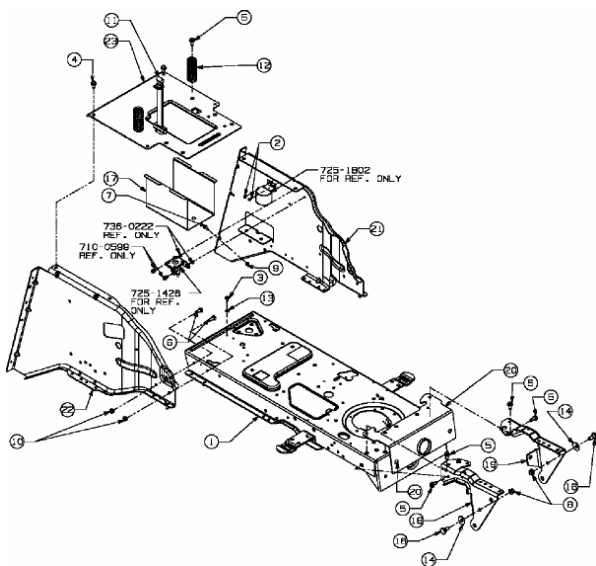


CELEBRATION 92 A > 13AV488E686 (2007) > RAHMEN



E3-02026A-01