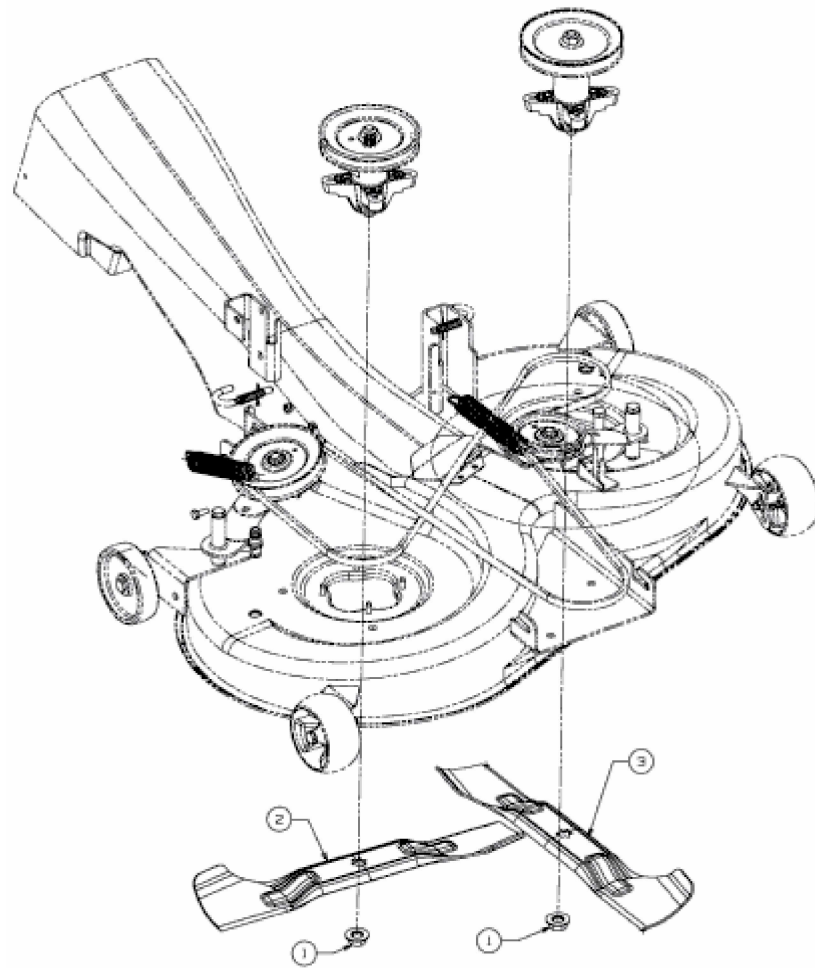


RANGER 3 (22/105 H) > 13AU718N661 (2010) > HIGH LIFT MESSER



E3-03077A-01