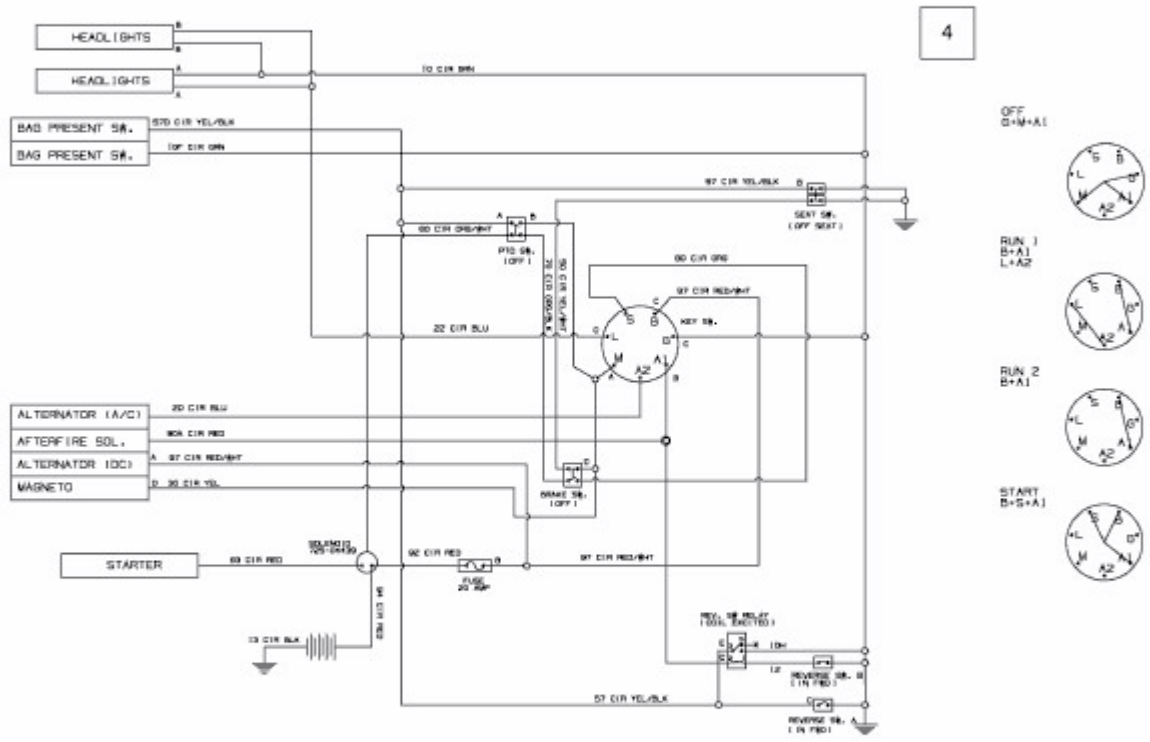


247-105 TWINH > 13AU717N615 (2012) > SCHALTPLAN



E3-03888F-02