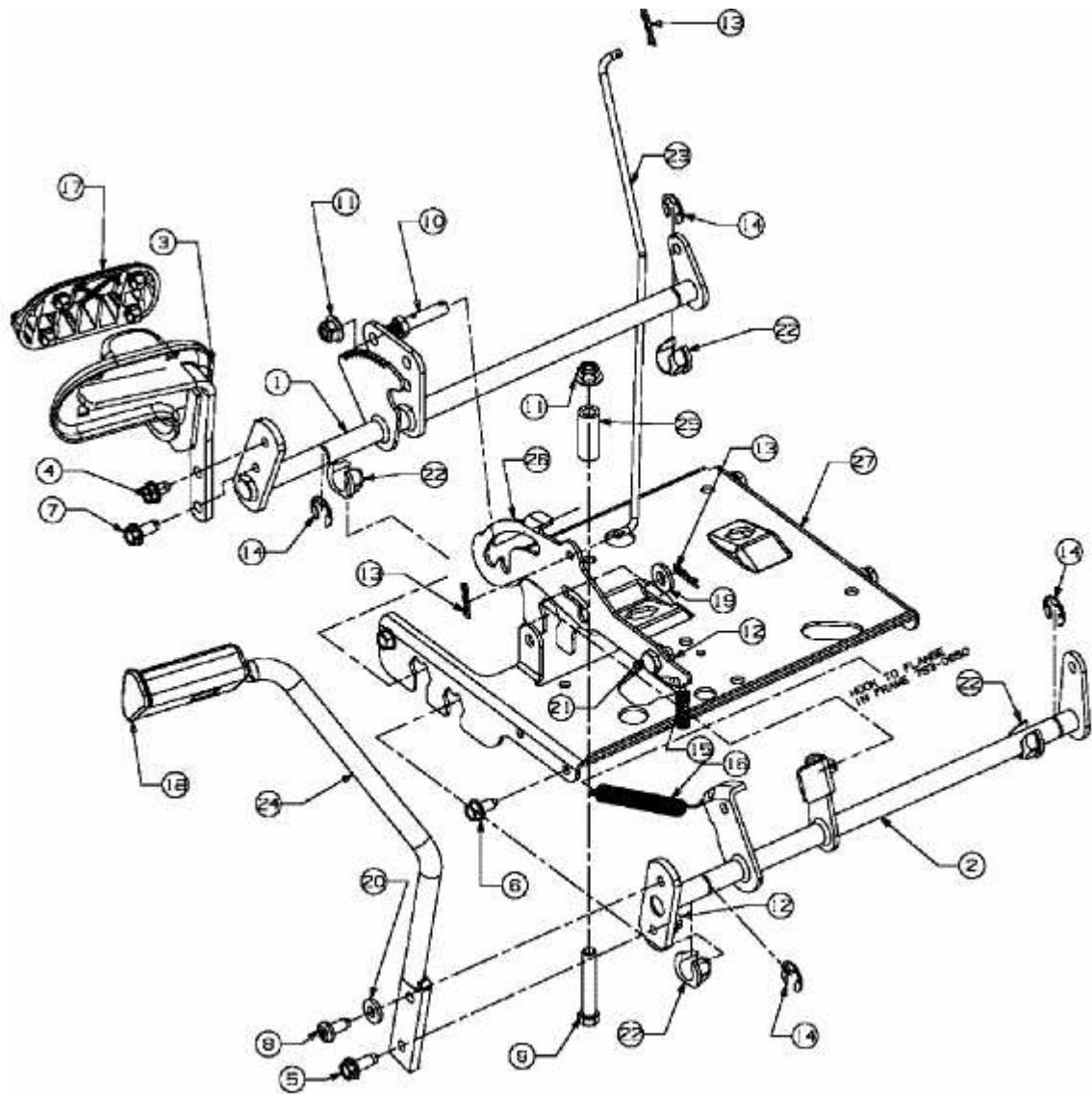


220/105 H > 13AU493N615 (2008) > PEDALE



E3-02033C-01