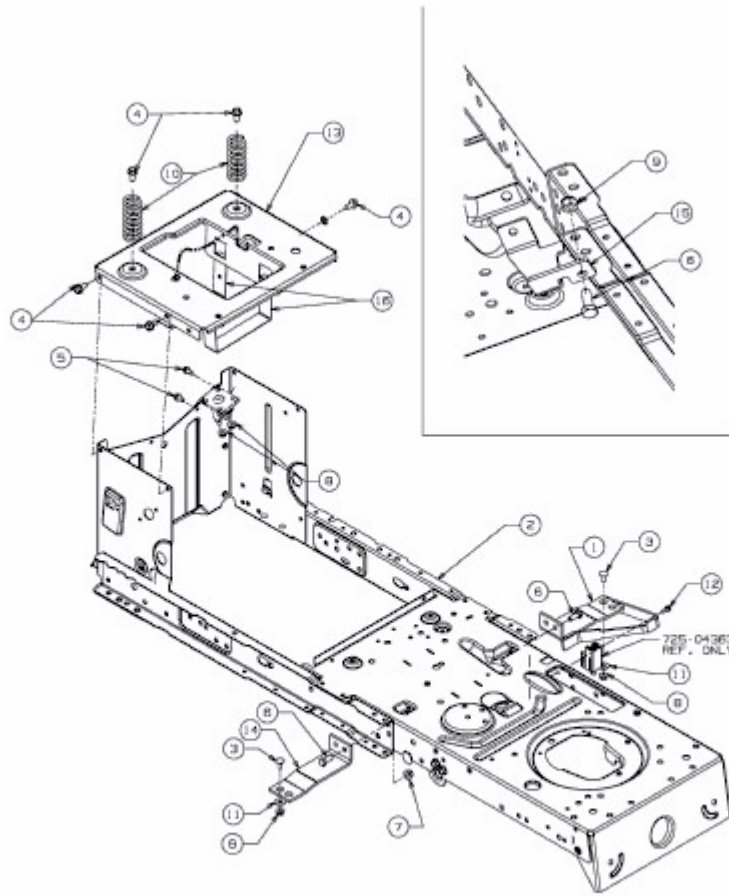


STORM 108/20 H > 13AT79KG637 (2010) > RAHMEN



E3-02717C-01