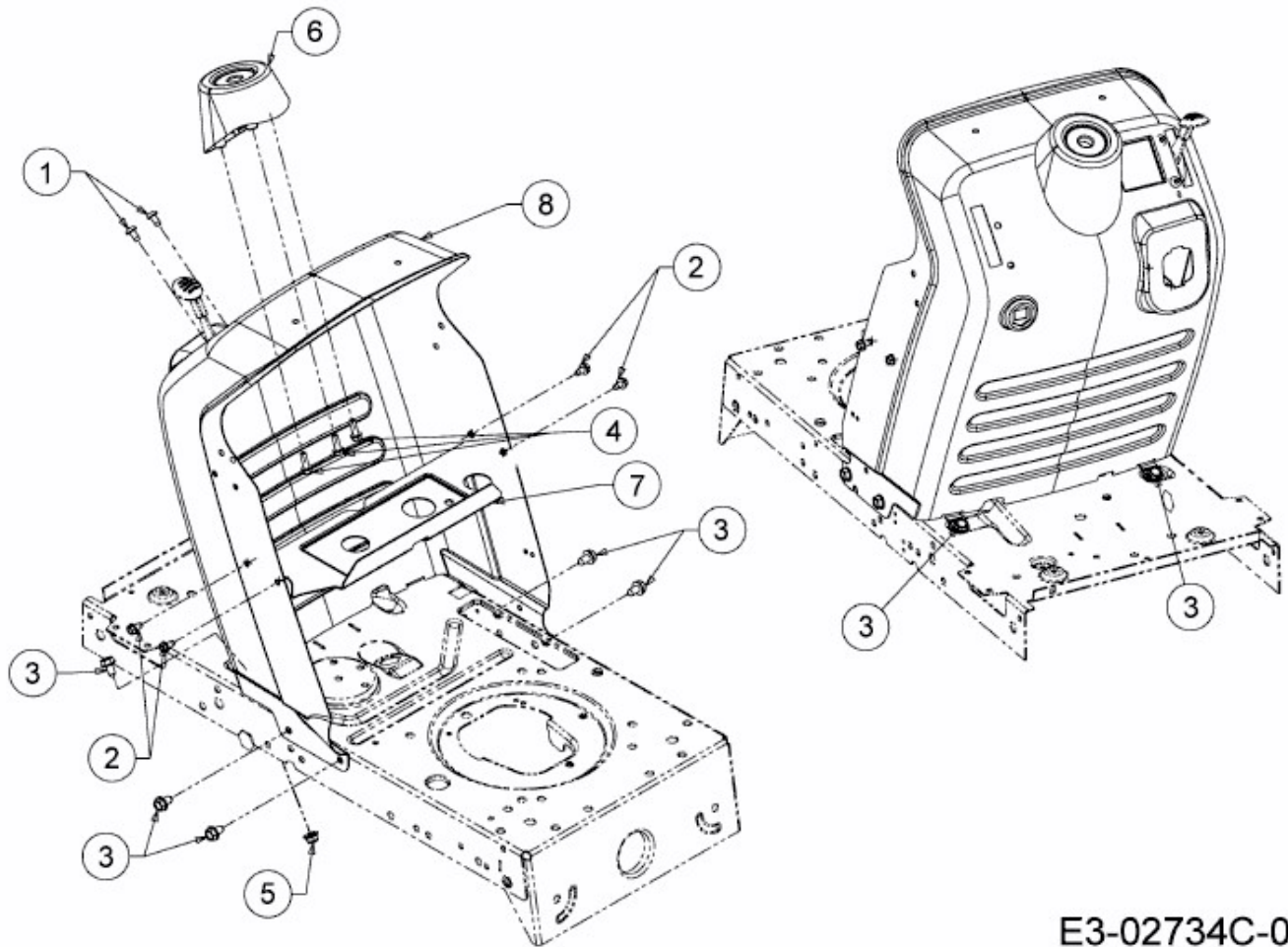


BL 200/107 H > 13AT795G684 (2008) > ARMATURENBRETT



E3-02734C-01