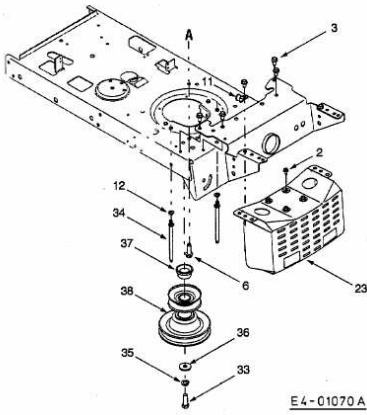
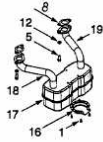
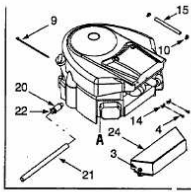


H 180



E4-01070A