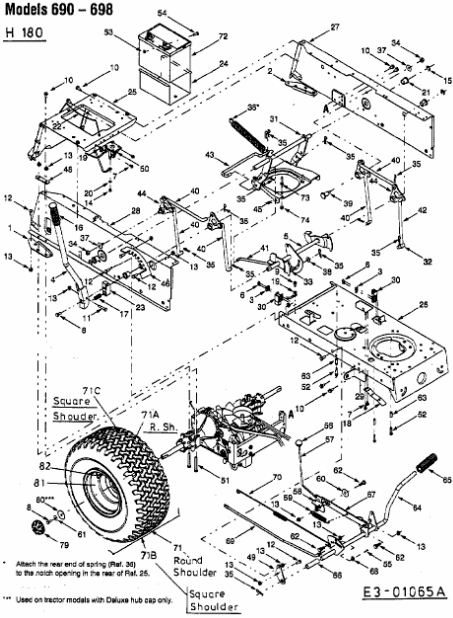


Models 690 - 698

H 180



* Attach the rear end of spring (Ref. 35) to the notch opening in the rear of Plat. 25.

** Used on tractor models with Deluxe hub cap only.

E3-01065A