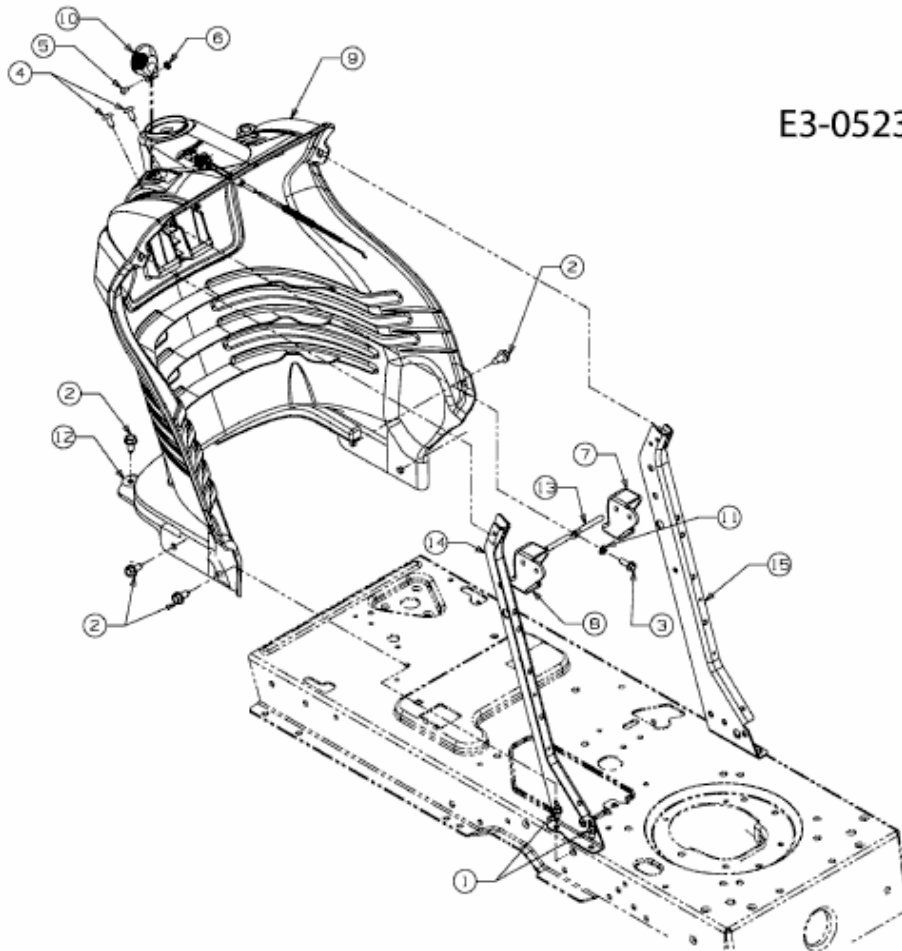


GLX 105 RH-B > 13AT516NX90 (2009) > ARMATURENBRETT



E3-05231A-01