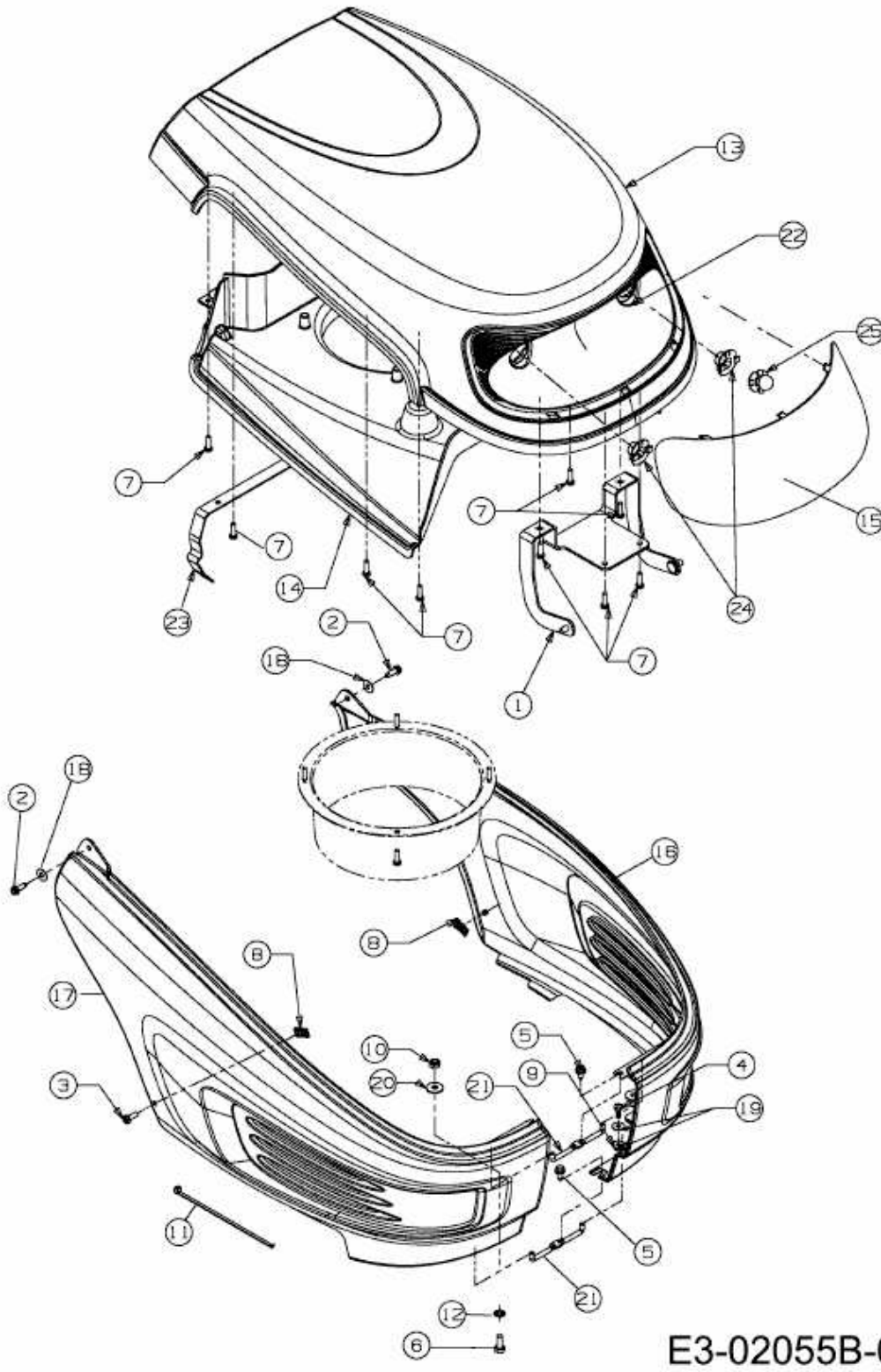


GLX 105 RH-B > 13AT516NX90 (2009) > MOTORHAUBE 6-STYLE



E3-02055B-01