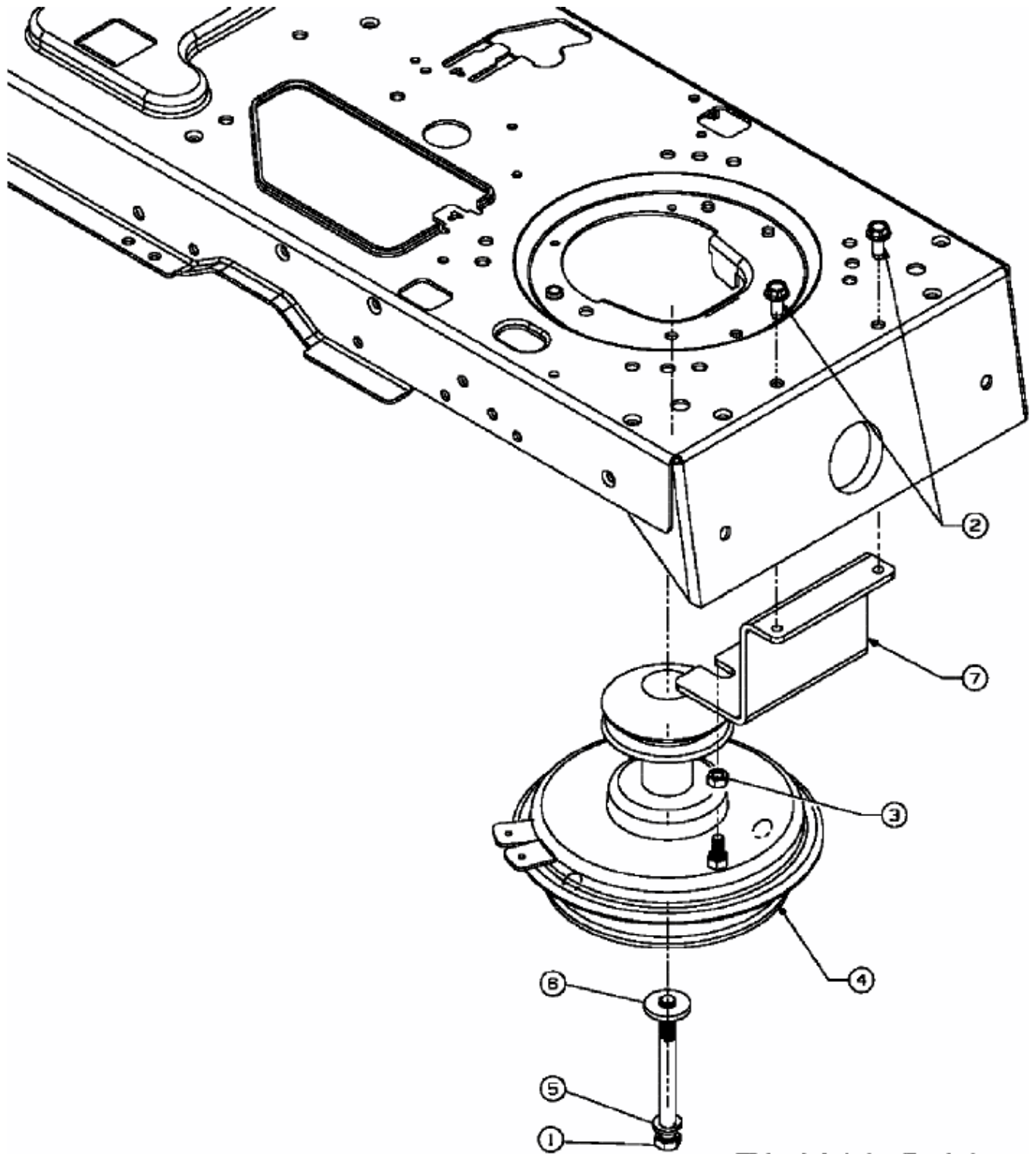


GLX 105 RH-B > 13AT516NX90 (2009) > MOTORKEILRIEMENSCHLEIBE



E3-02064B-01