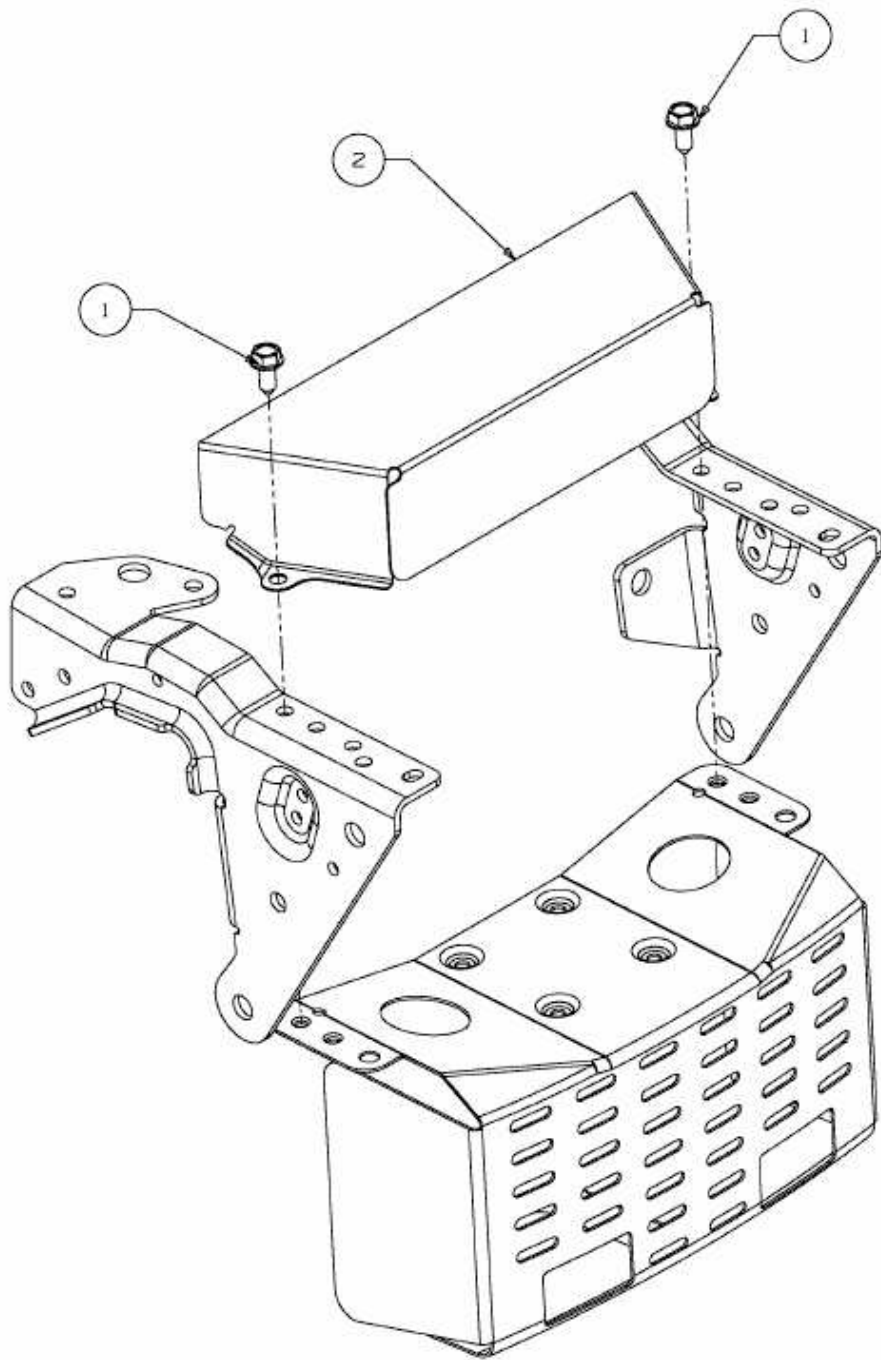


GLX 105 RH-B > 13AT516NX90 (2009) > HITZESCHUTZ



E3-03791B-01