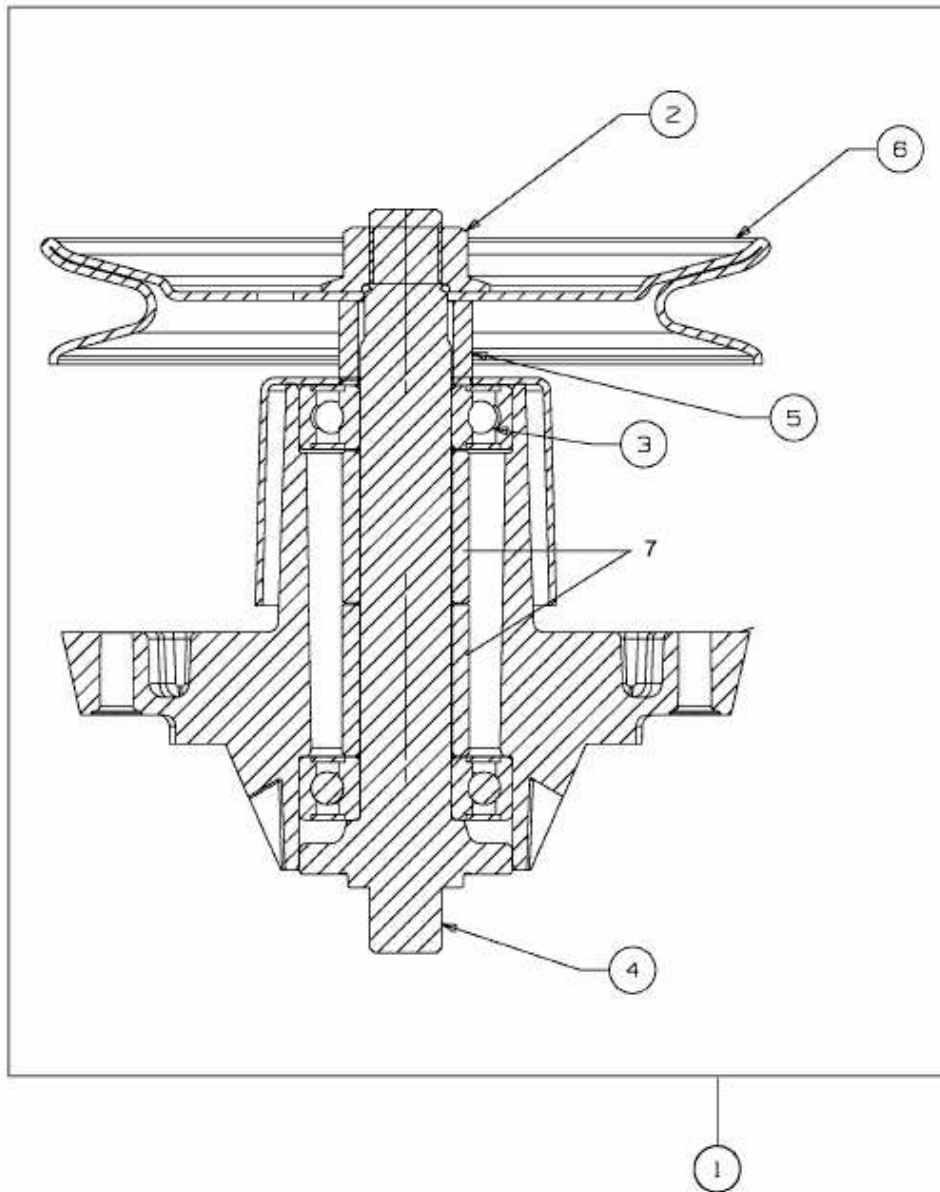


GLX 105 RH-B > 13AT516NX90 (2009) > MESSERSPINDEL 618-04657



E3-03996A-01