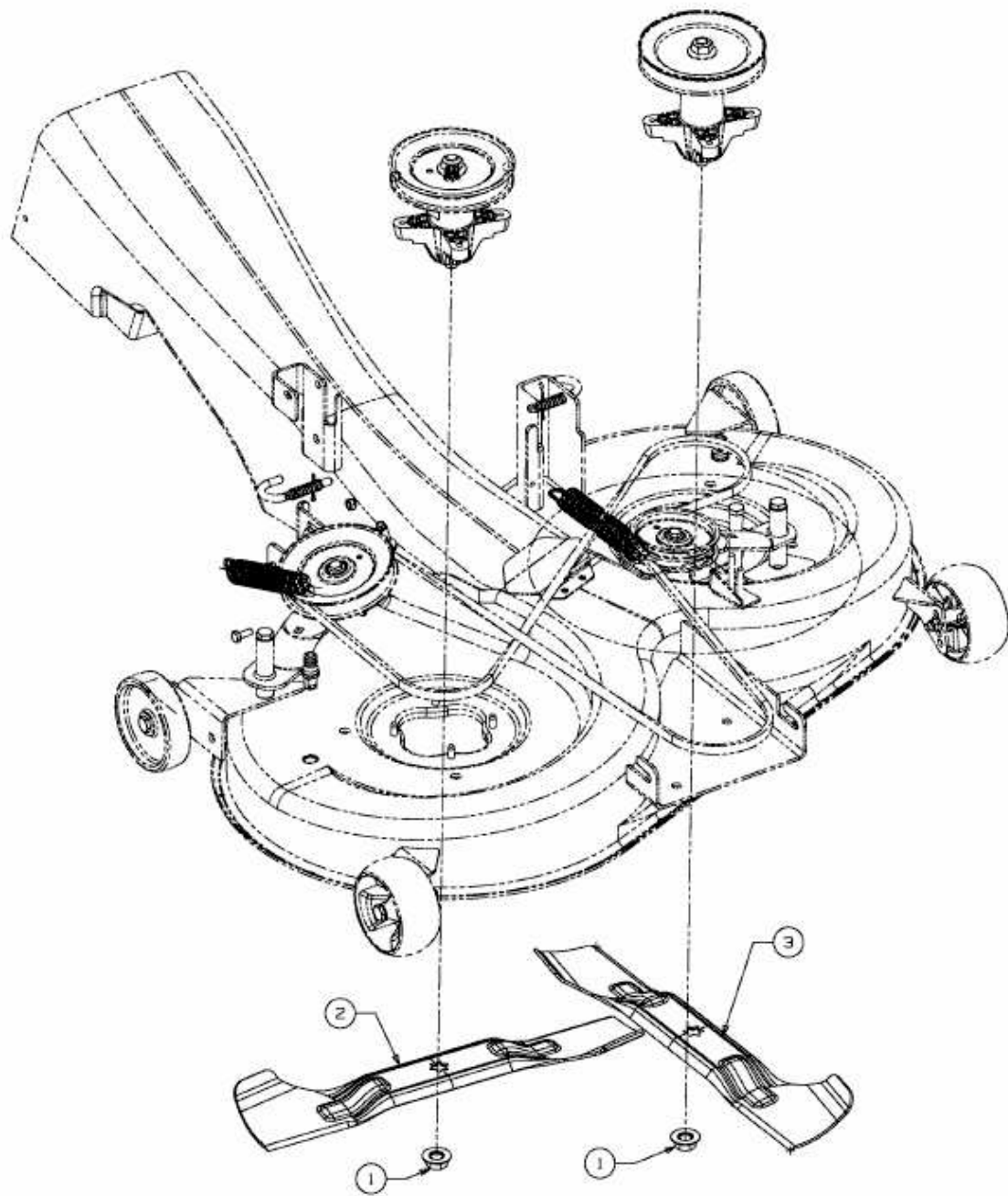


GLX 105 RH-B > 13AT516NX90 (2009) > HIGH LIFT MESSER



E3-03077A-01