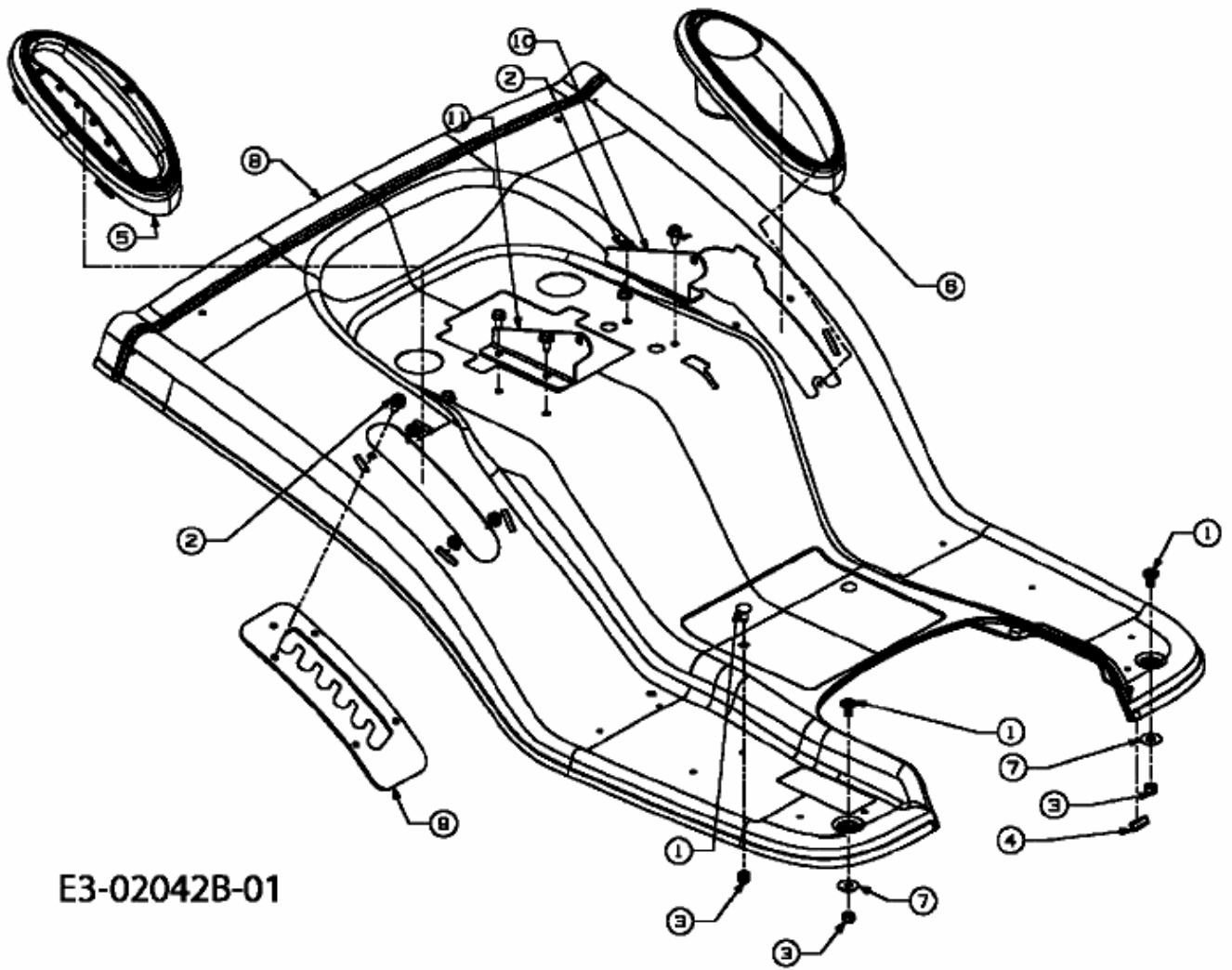


GLX 105 RH-B > 13AT516NX90 (2009) > SITZWANNE



E3-02042B-01