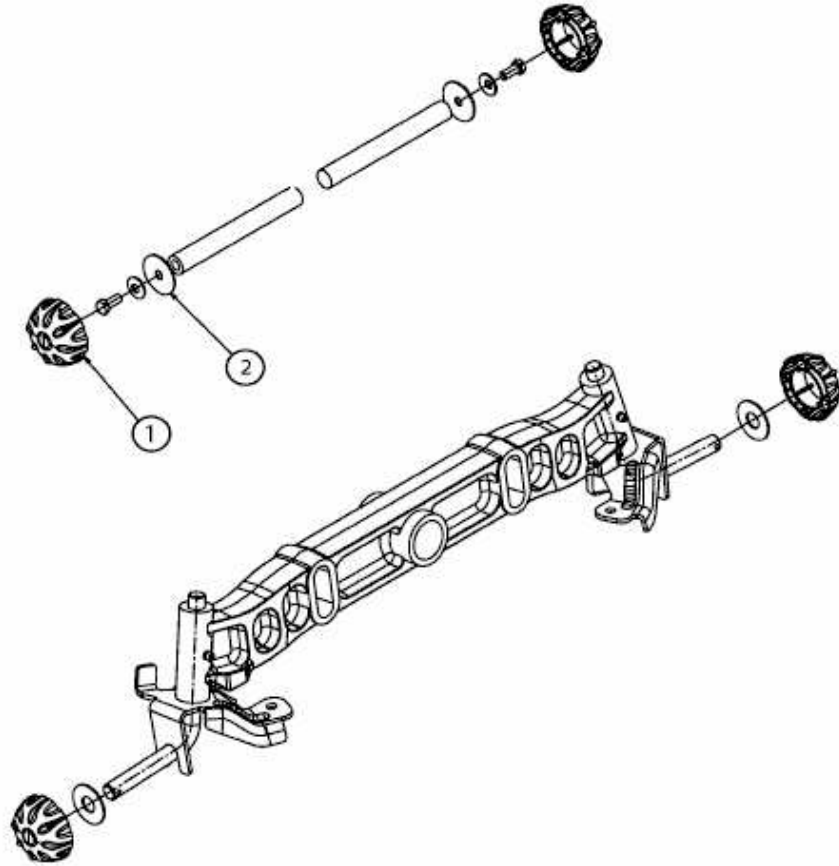


GLX 105 RH-B > 13AT516NX90 (2009) > RADKAPPEN



E3-02001A-01