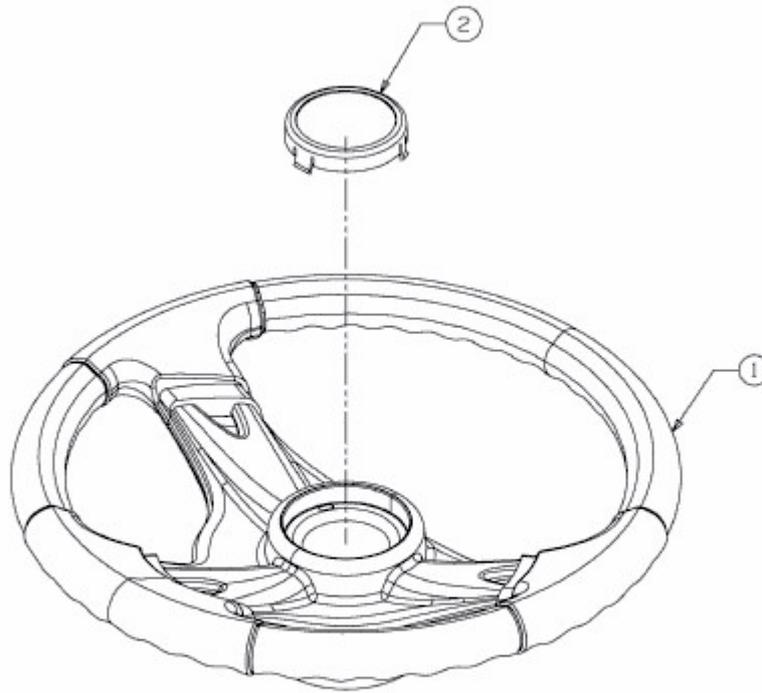


EP 180/105 > 13AT489N608 (2005) > LENKRAD



E3-02015A-01