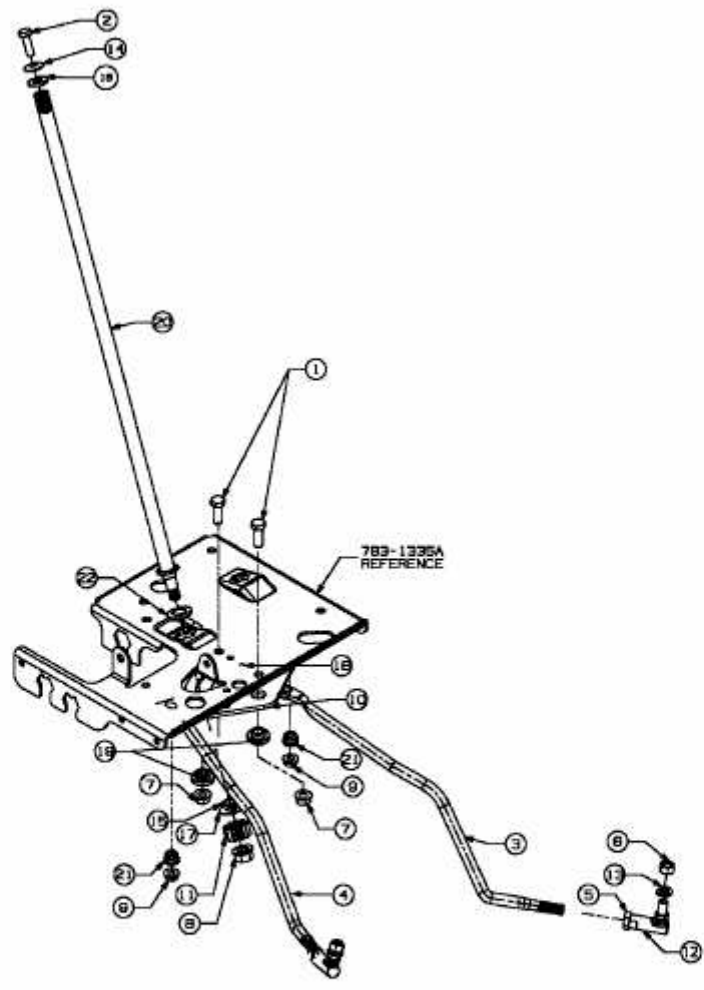


RH 180/105 B > 13AT488N676 (2004) > LENKUNG



E3-02000A-01