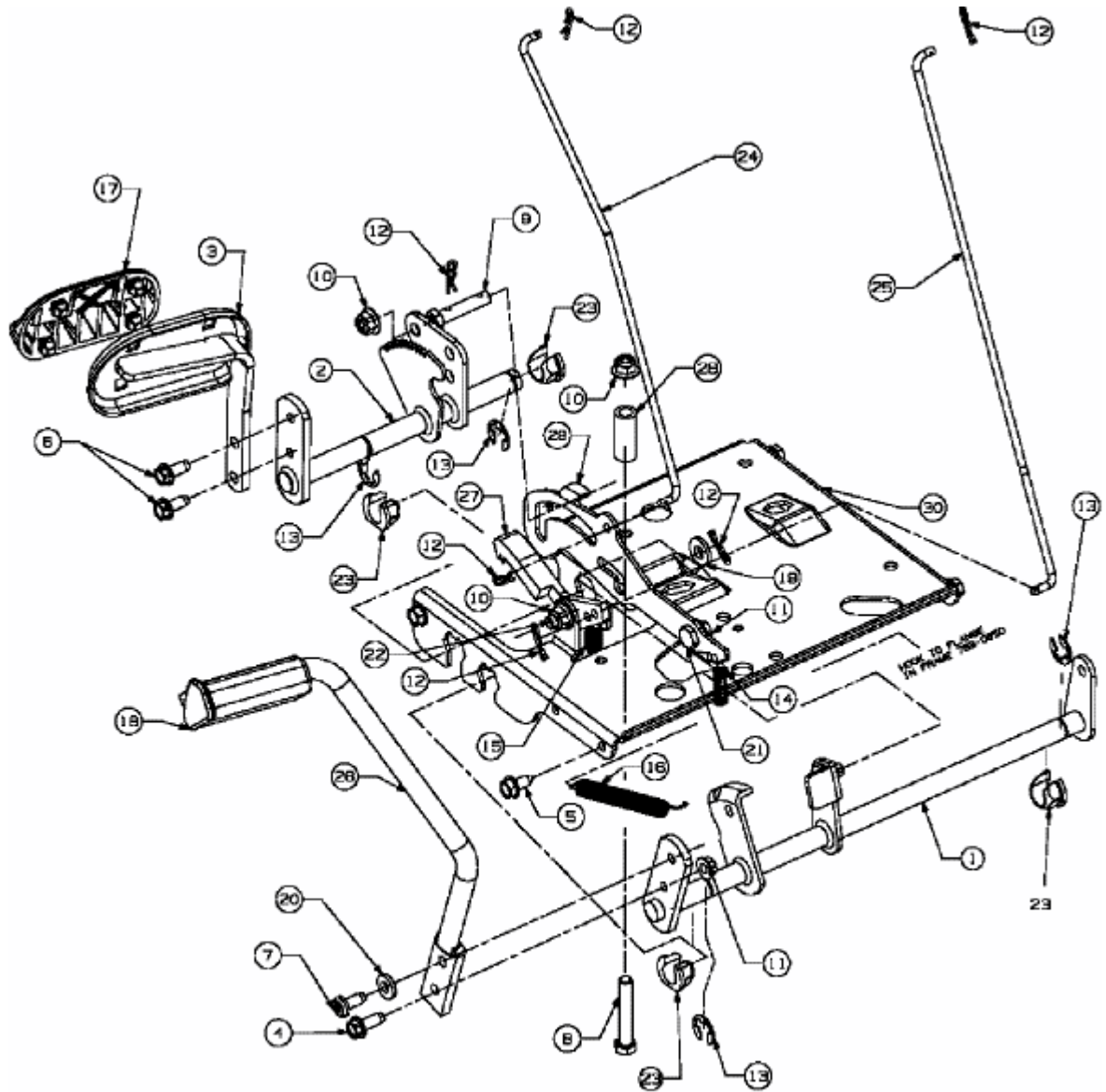


909 > 13AP509J611 (2006) > PEDALE



E3-02030B-01