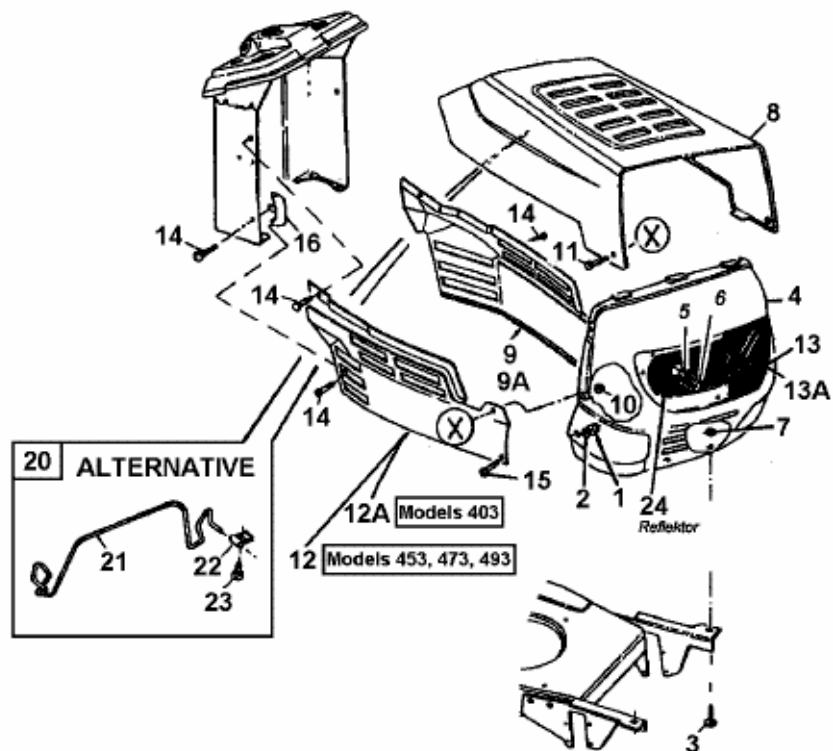


TA 4145 > 13AP473A643 (1998) > MOTORHAUBE 3-STYLE

STYLE 3



fsg

E3-01298B-01