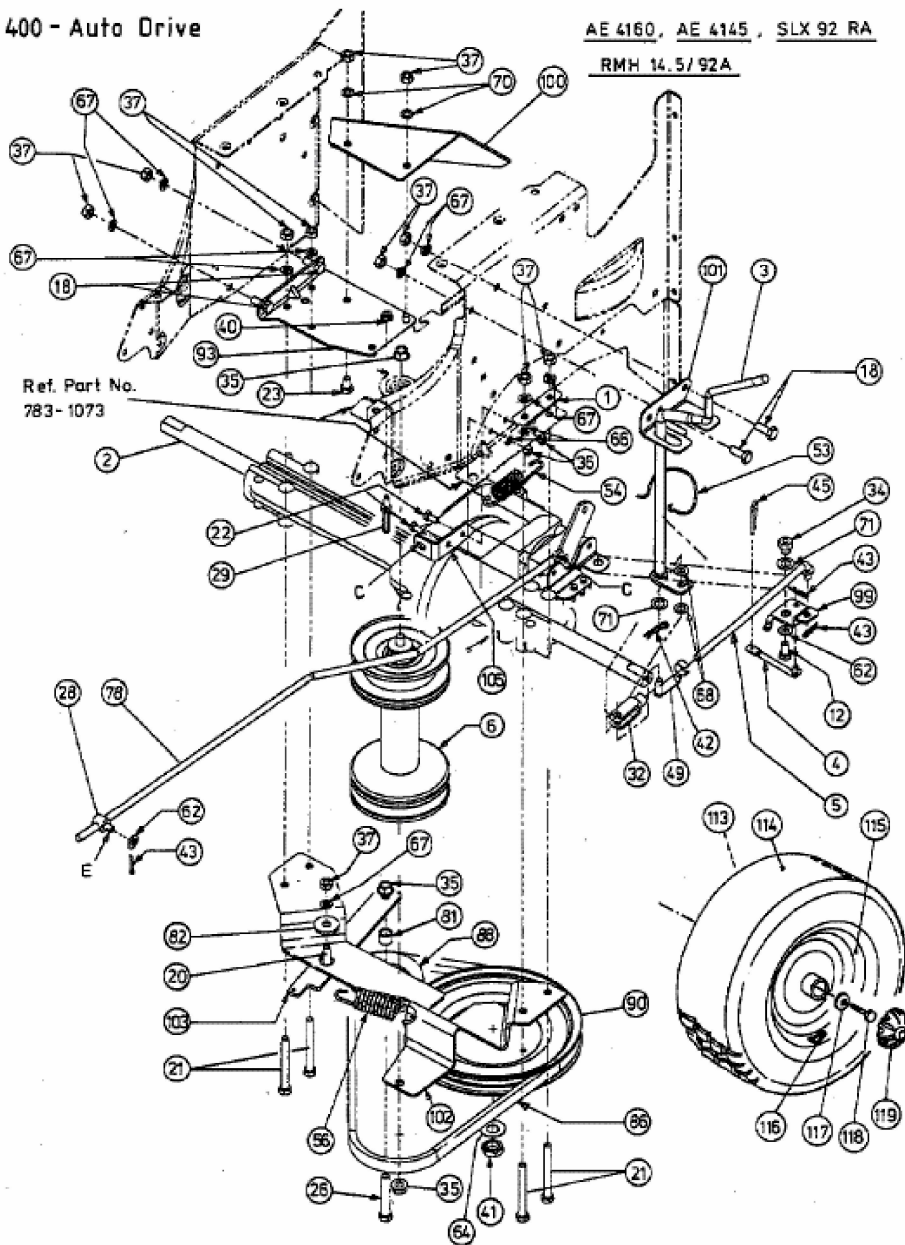


400 - Auto Drive

AE 4160, AE 4145, SLX 92 RA

RMH 14.5/92A



Ref. Part No.
783-1073