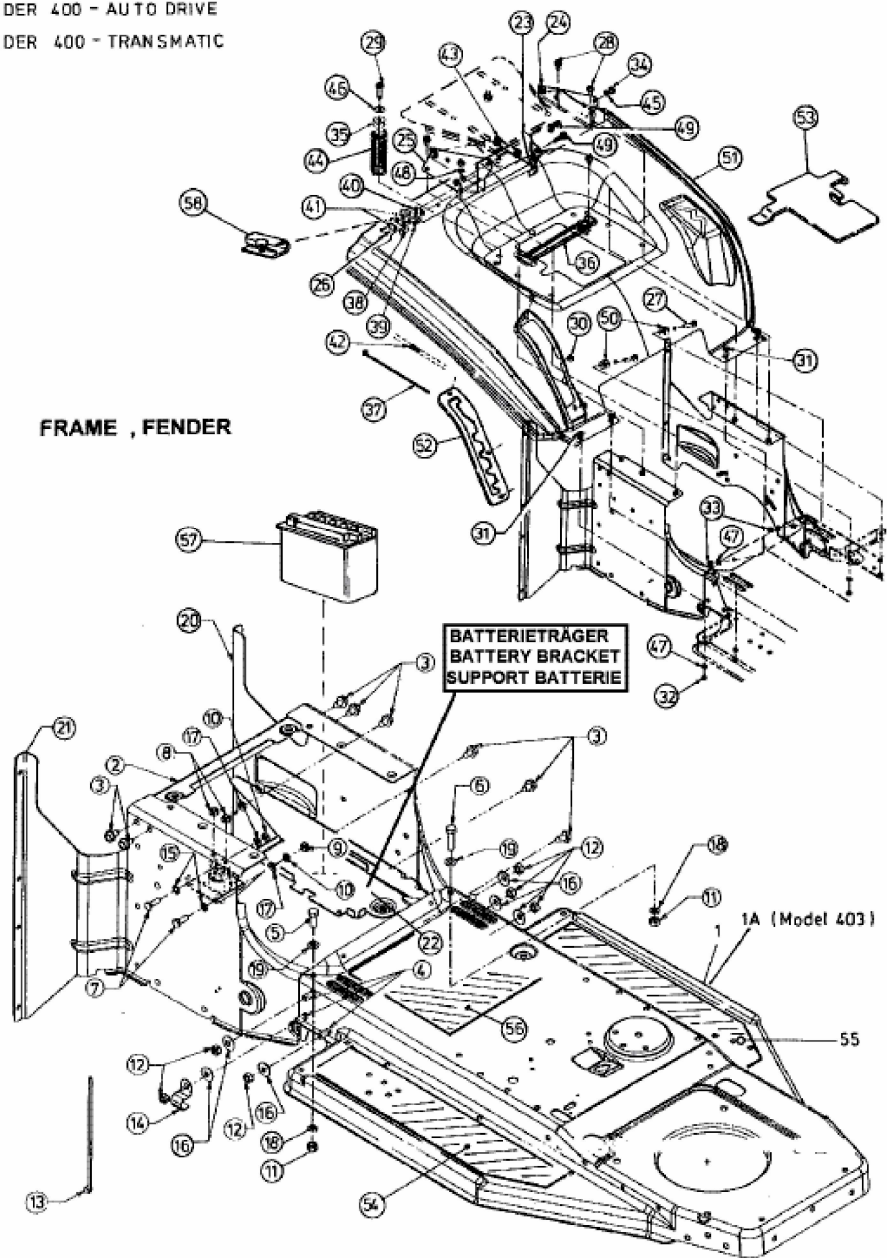


RMH 14.5/92 A > 13AP403E628 (2002) > BATTERIE, RAHMEN, SITZWANNE

RIDER 400 - AUTO DRIVE
RIDER 400 - TRANSMATIC



E3-01438 C