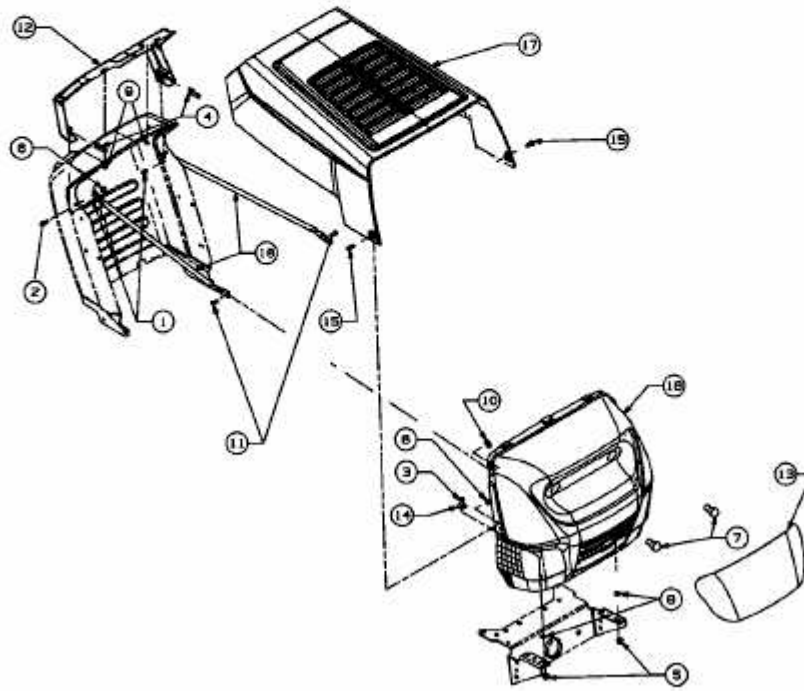


742 RL > 13AN772G329 (2010) > MOTORHAUBE 2-STYLE

STYLE 2



E3-02728A-01