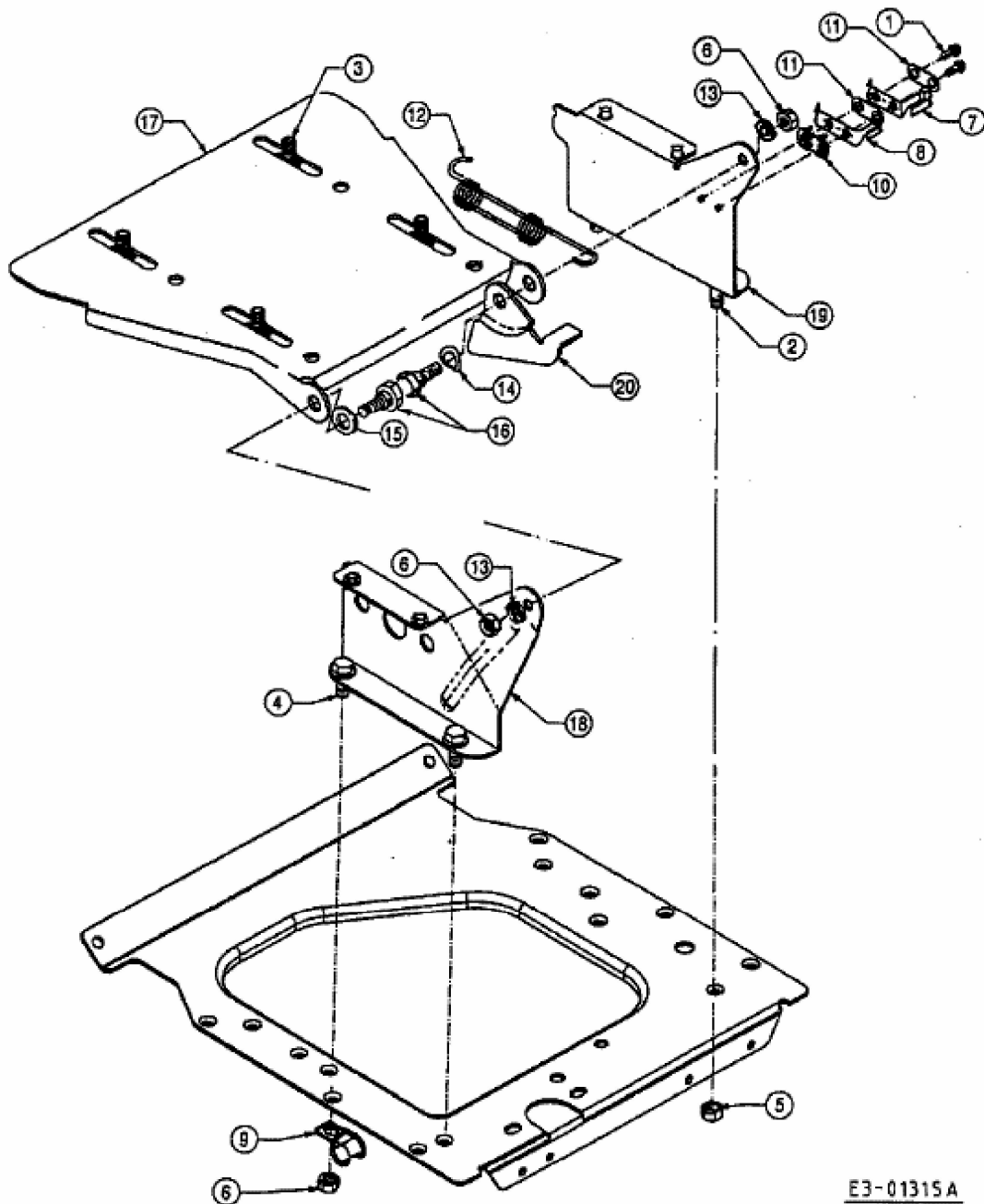


### 700-er ( Transmatic and Hydro )



E3-01315A