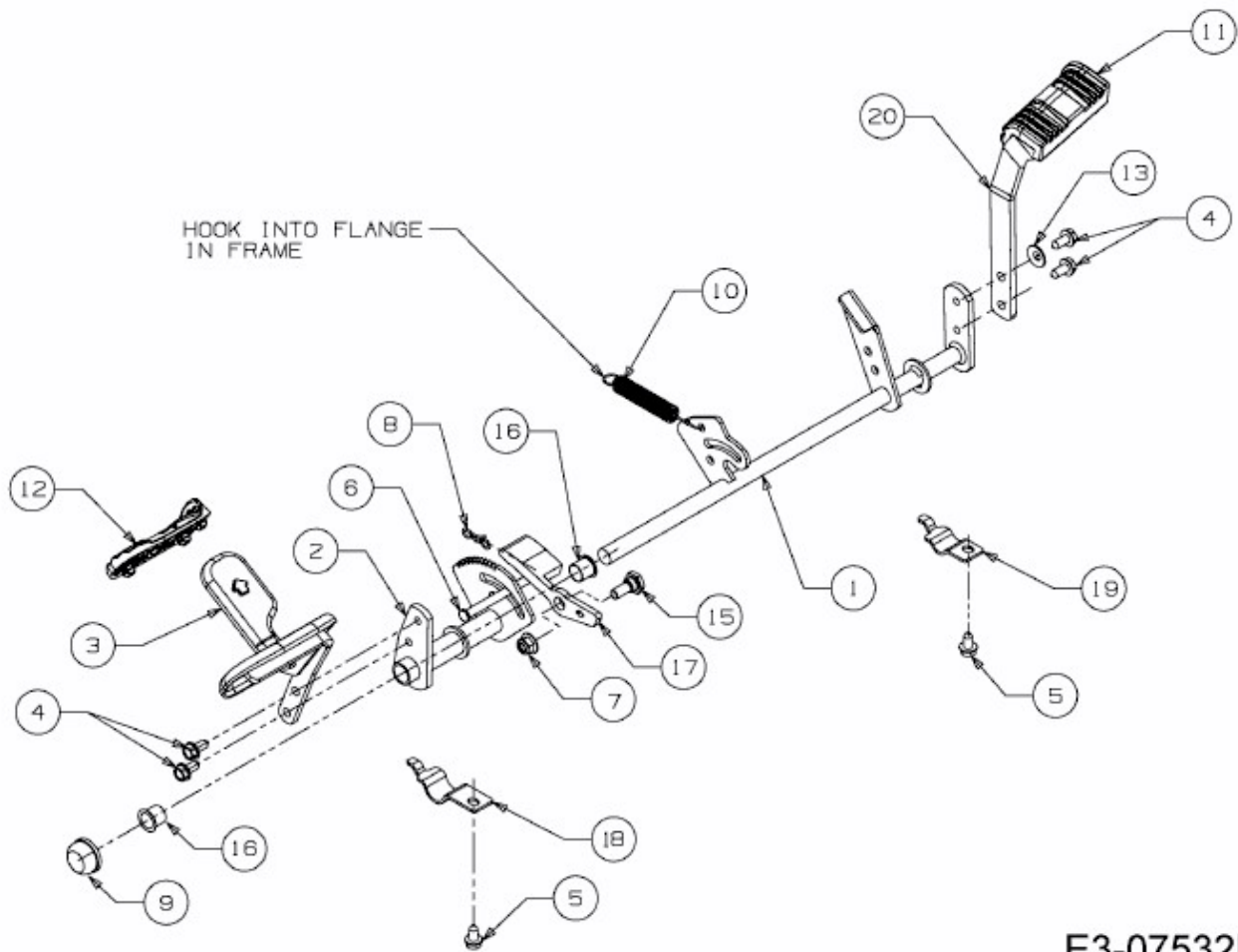


GL 15,5-105 H > 13AM993N640 (2013) > PEDALWELLE



E3-07532B-01