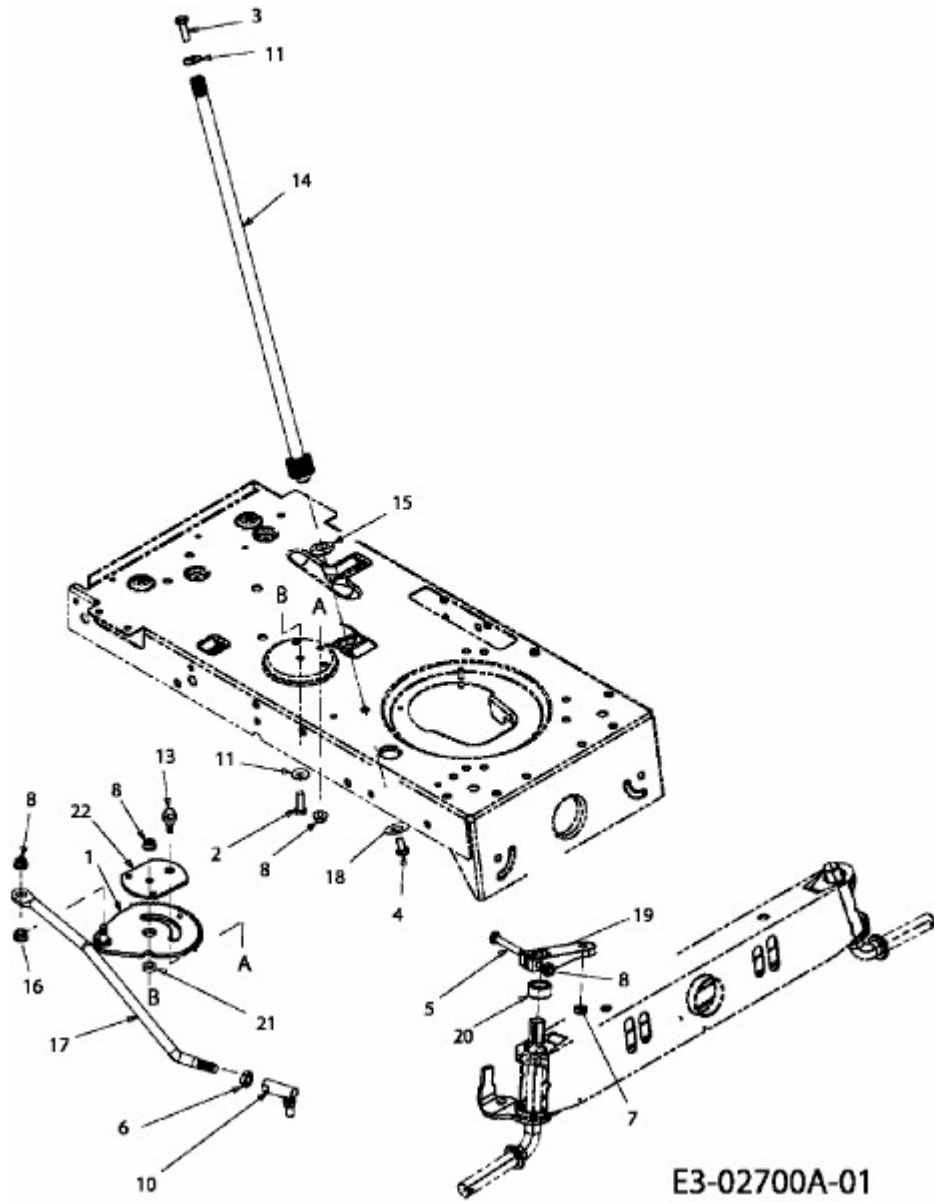


FORMULA 108/15.5 H > 13AM799G637 (2007) > LENKUNG



E3-02700A-01