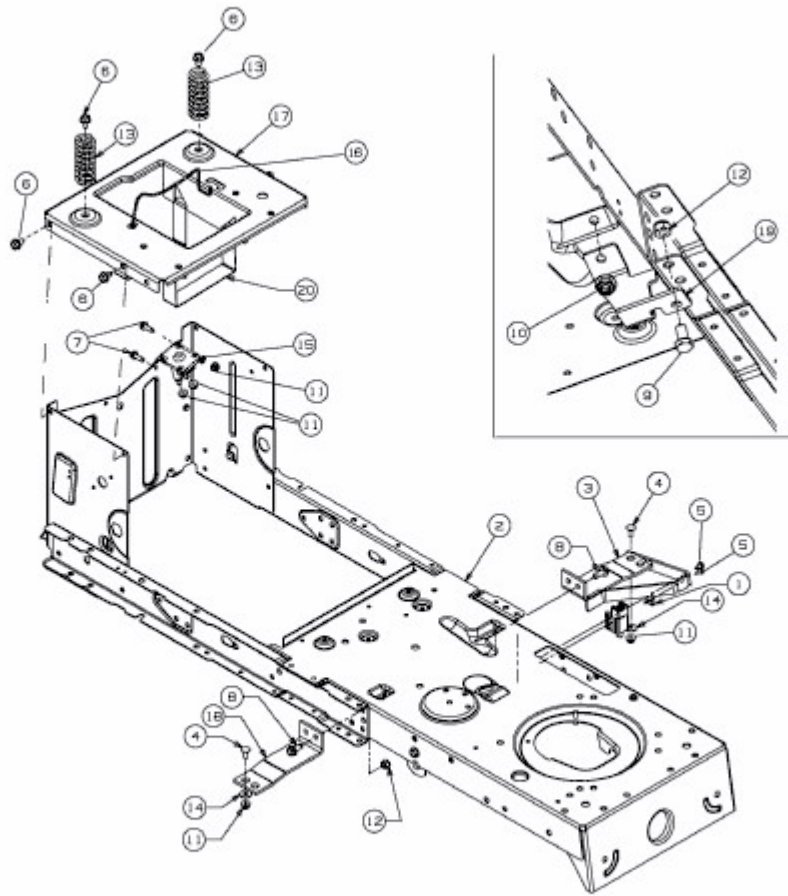


FORMULA 108/15.5 H > 13AM799G637 (2007) > RAHMEN



E3-02717B-01