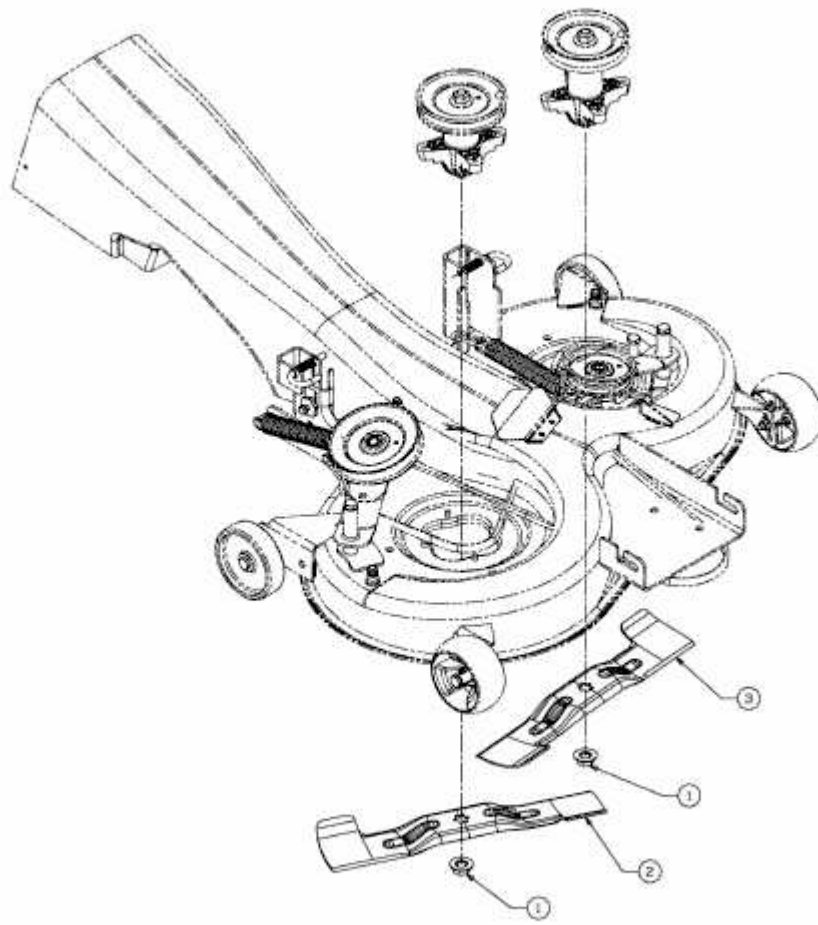


P 155 AME > 13AM783E678 (2009) > HIGH LIFT MESSER



E3-03075A-01