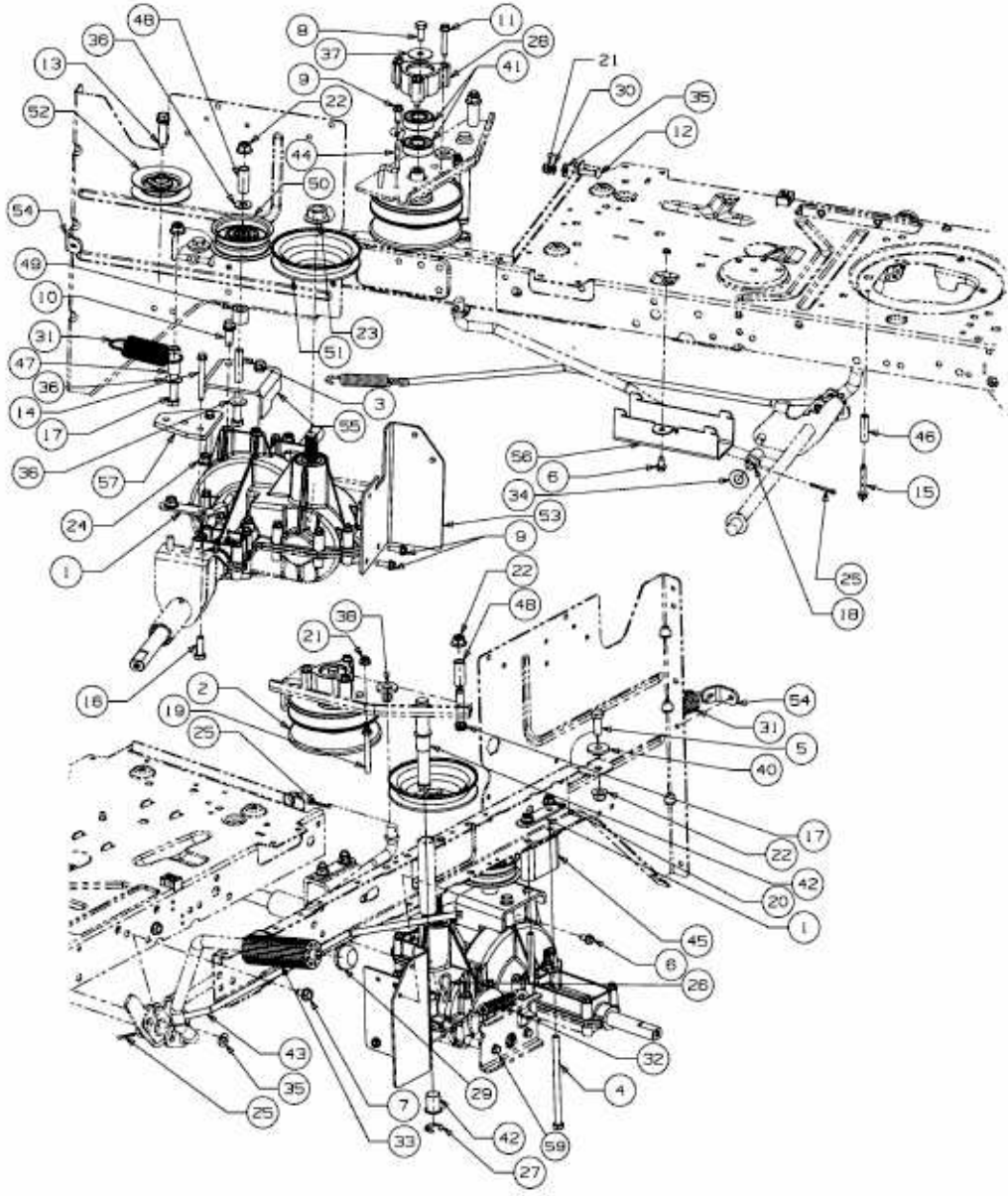


TN 7155 > 13AM77YN643 (2010) > FAHRANTRIEB, VARIATOR



E3-03858C-01