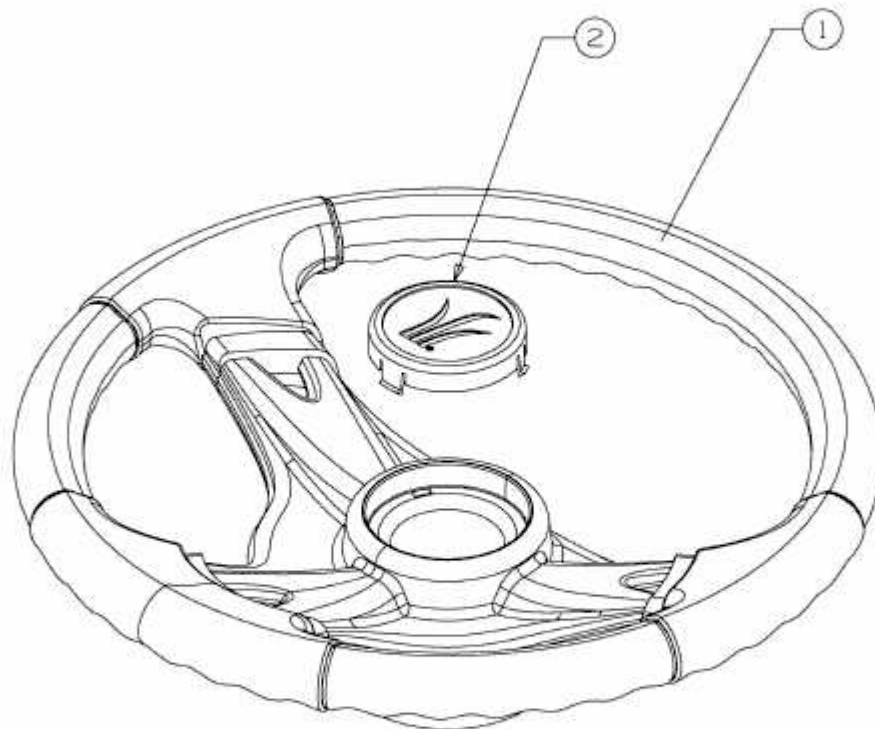


15.5/42 > 13AM775S308 (2016) > LENKRAD



E3-02014B-01