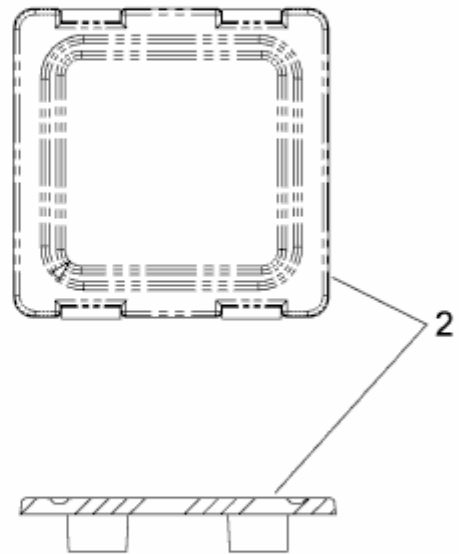
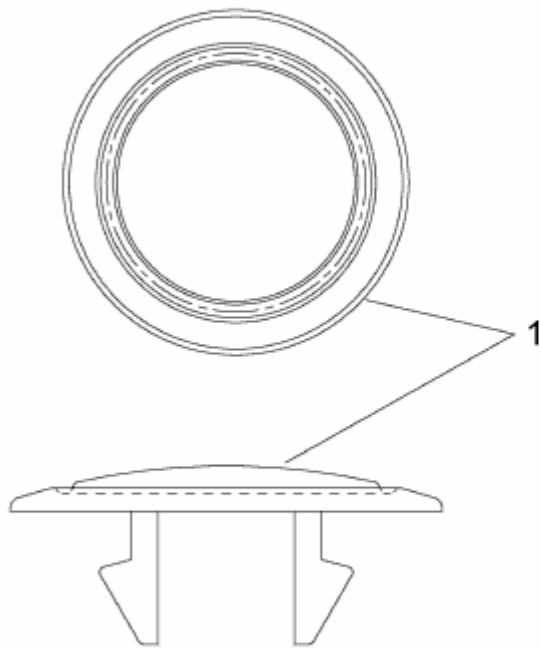


15.5/42 > 13AM775S308 (2016) > ABDECKUNGEN ARMATURENBRETT



E3-06862B-01