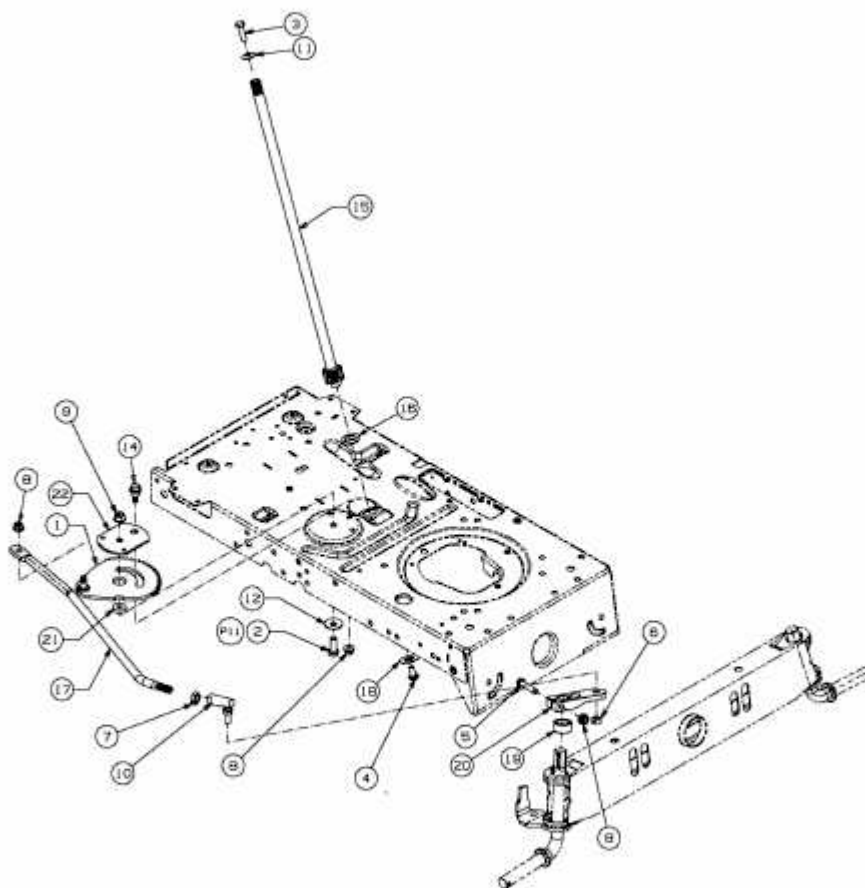


15.5/42 > 13AM775S308 (2014) > LENKUNG



E3-02700E-01