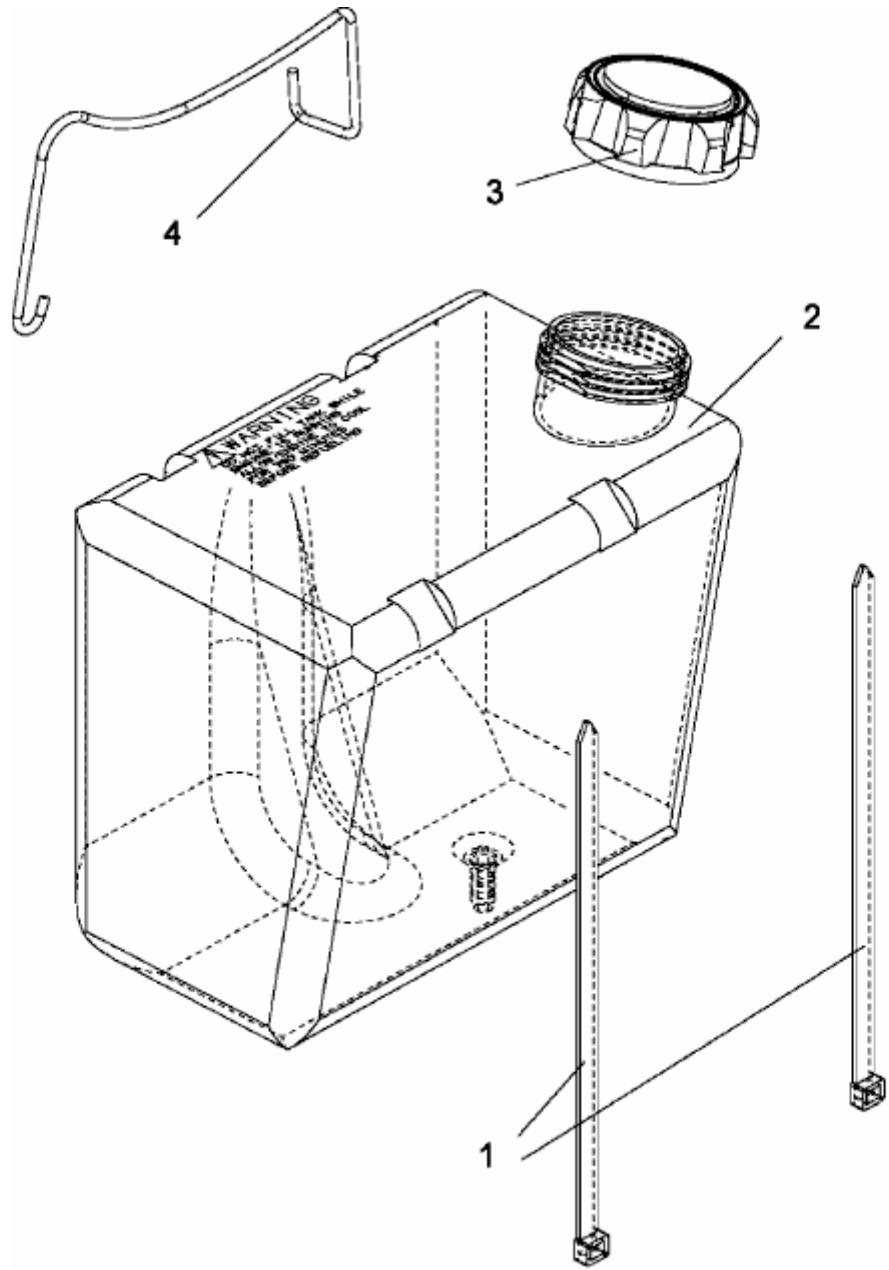


SL 155 BS > 13AM768G676 (2007) > BATTERIEHALTER, TANK



E3-02736B-01