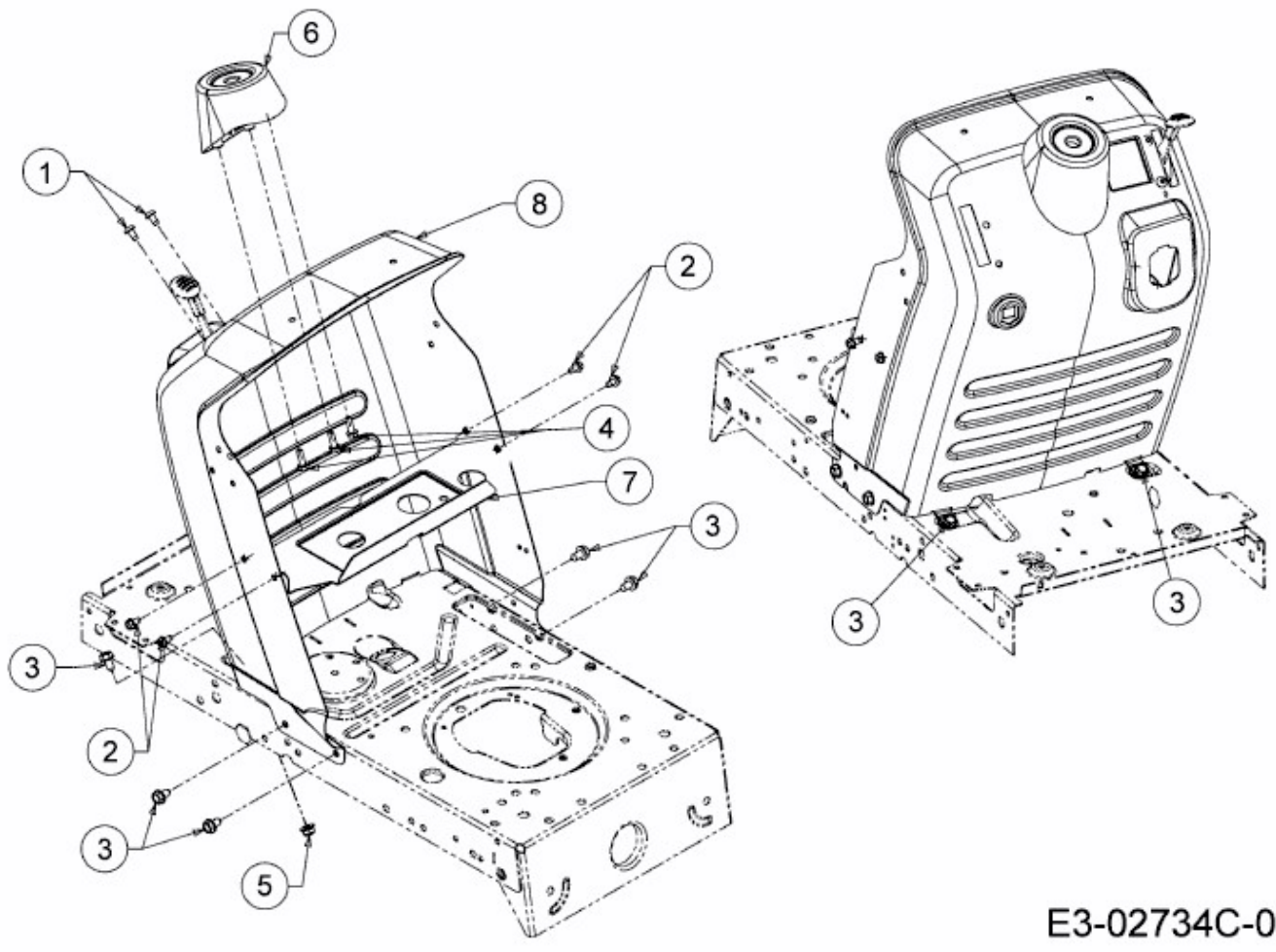


155/96 T > 13AM762F615 (2008) > ARMATURENBRETT



E3-02734C-01